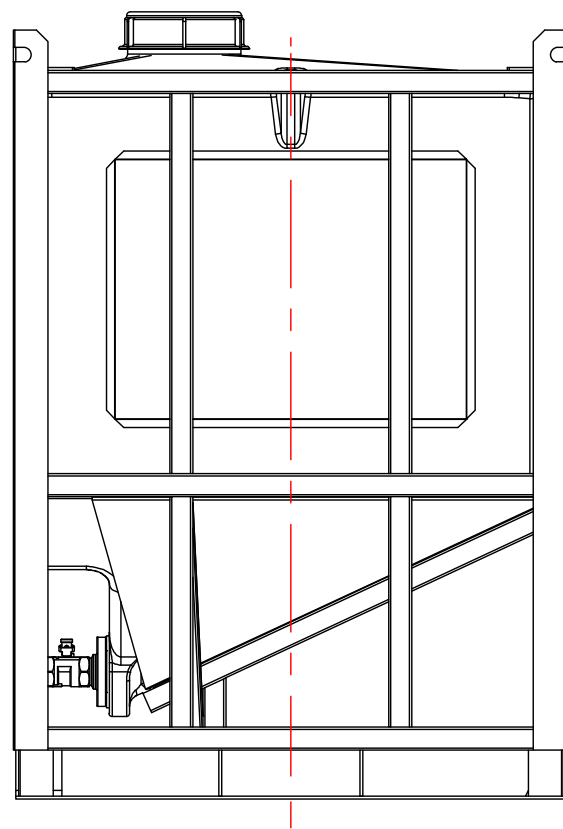


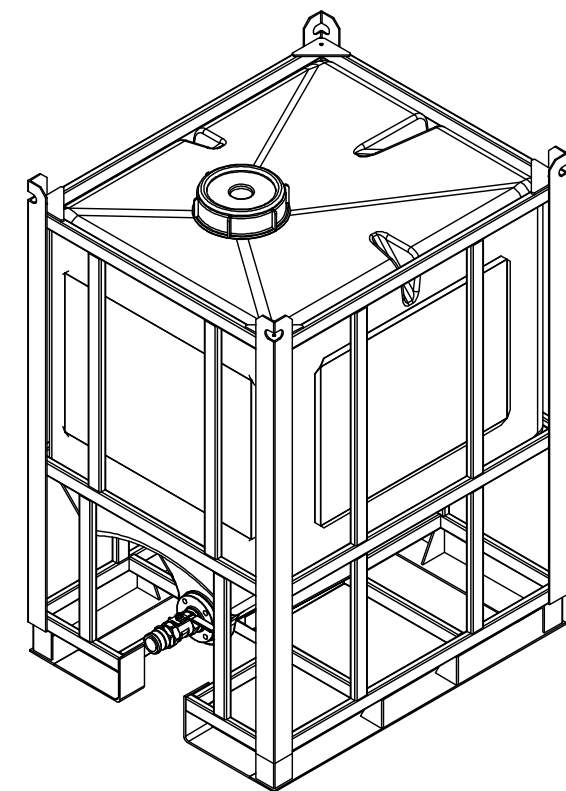
FRONT VIEW

NOTES:

1. TANK IS MANUFACTURED FROM HDPE.
2. TANK IS MANUFACTURED TO ASTM-D-1998 STANDARD.



SIDE VIEW



MATERIALS LIST		
ITEMS	DESCRIPTION	NOTES
A	PT-220-QD HDPE BOTTLE	
B	10" THREADED LID	
C	2" SS-316 BALL VALVE WITH SS-316 CAM LOCK	
D	STEEL FRAME FOR PT-220-QD	

REV	DATE	DESCRIPTION	BY	APPD	REVD
REVISIONS					
CUSTOMER					
TITLE			ACO JOB NO:		
220 IG QUICK DISCHARGE TOTE			PURCHASE ORDER NO:		
			PURCHASER'S EQUIP. NO:		
THIS DRAWING IS THE PROPERTY OF ROTOPLAST INC. AND SHALL NOT BE COPIED OR TRANSFERRED WITHOUT THE WRITTEN CONSENT OF ROTOPLAST INC.					
ENGINEERS SEAL		ACO CONTAINER SYSTEMS DIVISION OF ROTOPLAST INC.			
<small>PICKERING - ONTARIO - CANADA</small>					
ACO CONTAINER SYSTEMS DIVISION OF ROTOPLAST INC. 794 MCKAY RD. PICKERING, ONTARIO, CANADA TEL. 905-683-8222 FAX 905-683-2969			DESIGNED		
			DRAWN	WM	
			CHECKED		
			APPROVED		
			SCALE	N.T.S.	
			DATE	11-04-16	
DWG No			PT-220-QD		REV 0