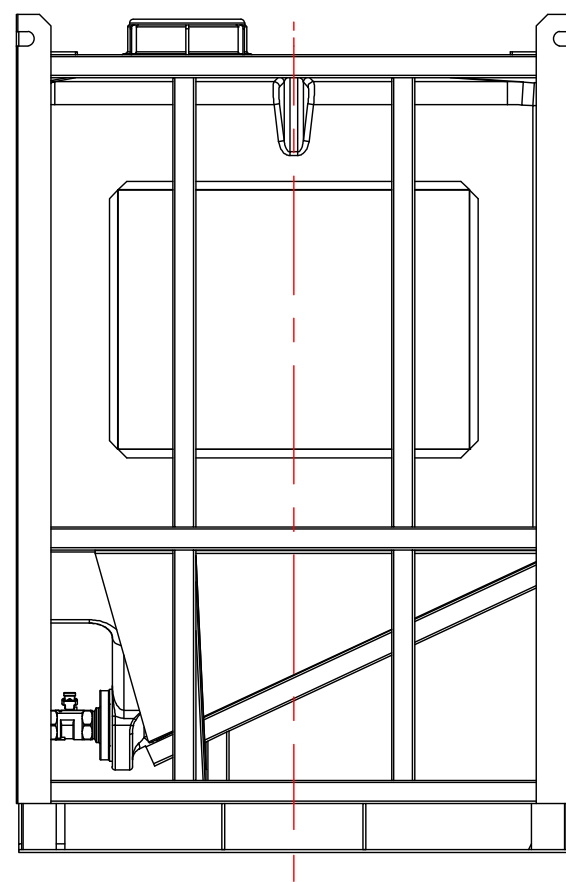
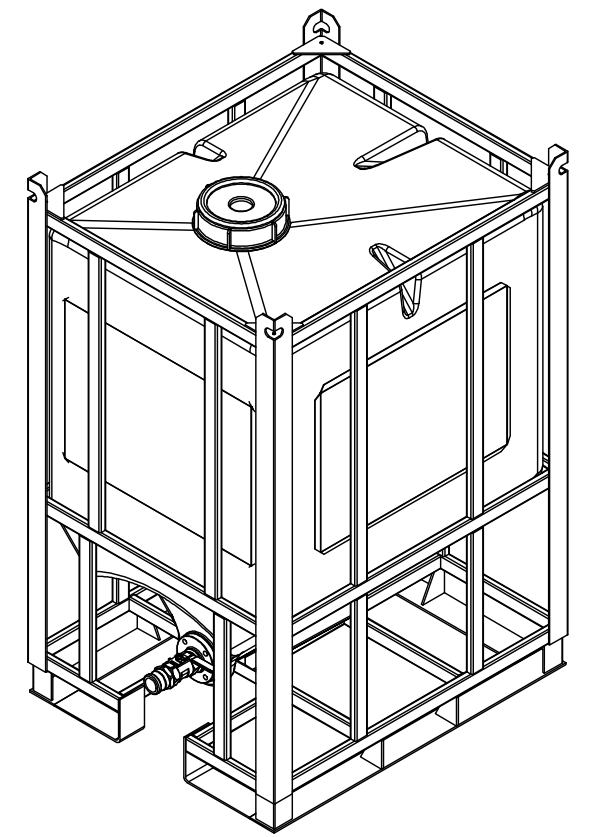


NOTES:
 1. TANK IS MANUFACTURED FROM HDPE.
 2. TANK IS MANUFACTURED TO ASTM-D-1998 STANDARD.

MATERIALS LIST		
ITEMS	DESCRIPTION	NOTES
A	PT-250-QD HDPE BOTTLE	
B	10" THREADED LID	
C	2" SS-316 BALL VALVE WITH SS-316 CAM LOCK	
D	STEEL FRAME FOR PT-250-QD	



REV	DATE	DESCRIPTION	BY	APPD	REVD
REVISIONS					
CUSTOMER					
TITLE			ACO JOB NO:		
250 IG QUICK DISCHARGE TOTE			PURCHASE ORDER NO:		
			PURCHASER'S EQUIP. NO:		
THIS DRAWING IS THE PROPERTY OF ROTOPLAST INC. AND SHALL NOT BE COPIED OR TRANSFERRED WITHOUT THE WRITTEN CONSENT OF ROTOPLAST INC.					
ENGINEERS SEAL		ACO CONTAINER SYSTEMS DIVISION OF ROTOPLAST INC.			
		PICKERING - ONTARIO - CANADA			
ACO CONTAINER SYSTEMS		DESIGNED			
DIVISION OF ROTOPLAST INC.		DRAWN	WM		
794 MCKAY RD.		CHECKED			
PICKERING, ONTARIO, CANADA		APPROVED			
TEL. 905-683-8222		SCALE	N.T.S.		
FAX 905-683-2969		DATE	07-04-16		
DWG No		PT-250-QD		REV	0