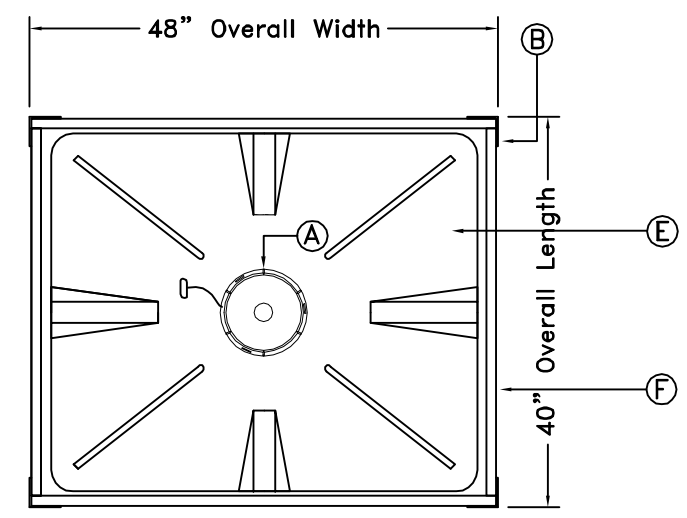
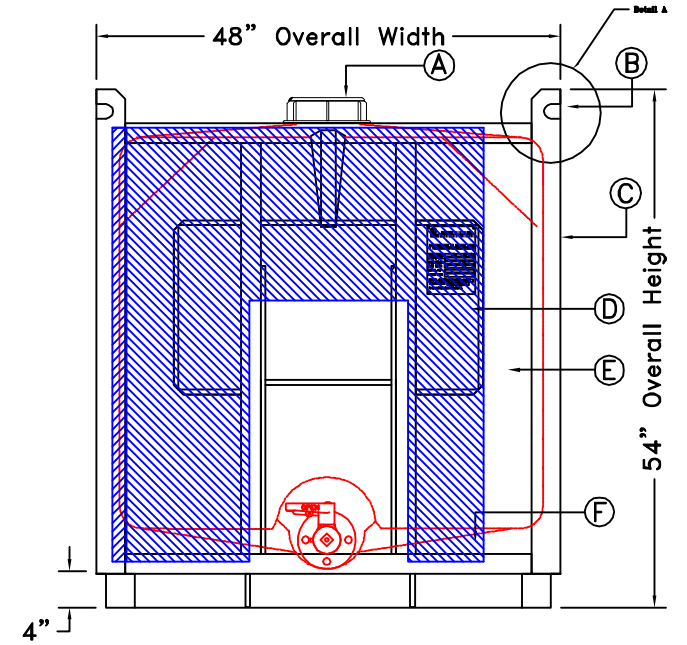
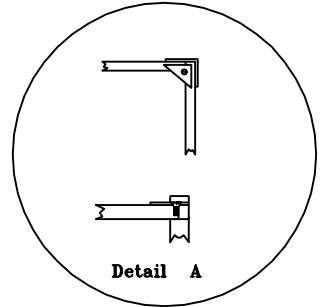


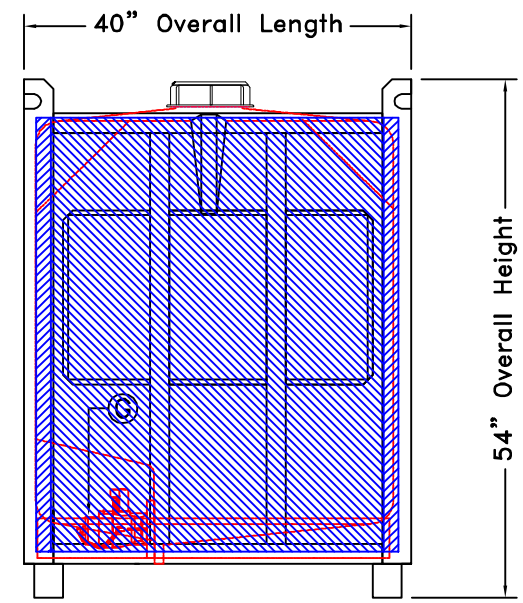
**** RATED WEIGHT CAPACITIES ****
 TARE WEIGHT (EMPTY): 248 KGS.
 GROSS WEIGHT (OPERATING): 1,714 KGS.



PLAN VIEW



FRONT VIEW



SIDE VIEW

NOZZLE SCHEDULE

ITEM	SIZE	DESCRIPTION	NOTES
A	6	MANHOLE	POLY LID
B	--	STACKING BRACKET	
C	3 X 3	STEEL FRAME	ANGLE 3/16 THICK
D	--	SUPPORT PLATE	
E	--	CONTAINER	POLY
F	2 X 1	STEEL TUBING	TUBING 1/8 THICK
G	2	BALL VALVE	POLYPROPYLENE

NOTES:

1. TANK IS MANUFACTURED FROM HDPE. (1.5 SG)
2. TANK IS MANUFACTURED TO ASTM-D-1998 STANDARD.

REV	DATE	DESCRIPTION	BY	APPD	REVD
REVISIONS					

CUSTOMER _____

TITLE _____

ACO JOB NO: -

PURCHASE ORDER NO: -

PURCHASER'S EQUIP. NO: -

THIS DRAWING IS THE PROPERTY OF ROTOPLAST INC. AND SHALL NOT BE COPIED OR TRANSFERRED WITHOUT THE WRITTEN CONSENT OF ROTOPLAST INC.

ENGINEERS SEAL

ACO CONTAINER SYSTEMS
 DIVISION OF ROTOPLAST INC.

PICKERING - ONTARIO - CANADA

ACO CONTAINER SYSTEMS	DESIGNED	-
DIVISION OF ROTOPLAST INC.	DRAWN	-
794 MCKAY RD.	CHECKED	
PICKERING, ONTARIO, CANADA	APPROVED	
TEL. 905-683-8222	SCALE	N.T.S.
FAX 905-683-2969	DATE	-

DWG No **PTC-200-FE** REV **0**