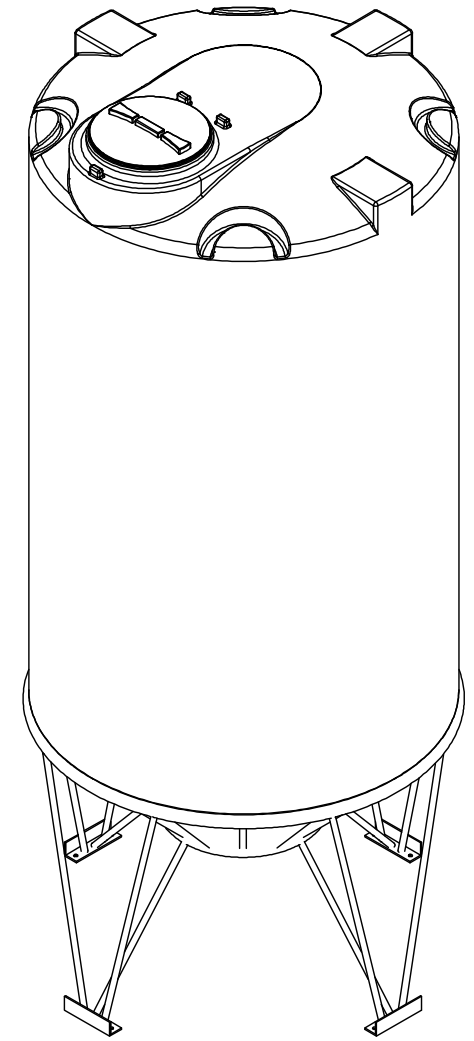
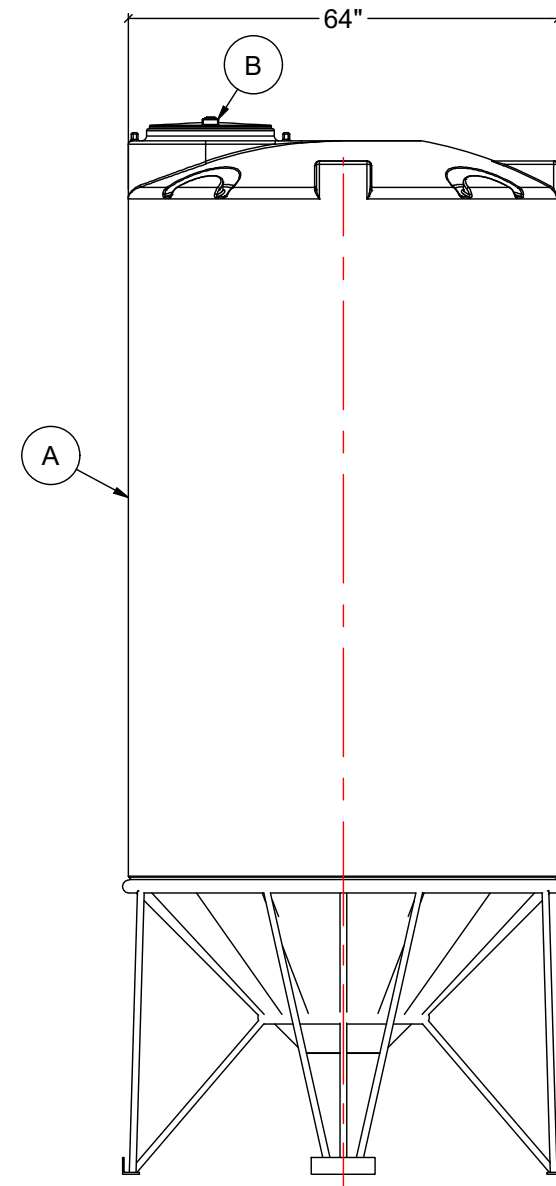
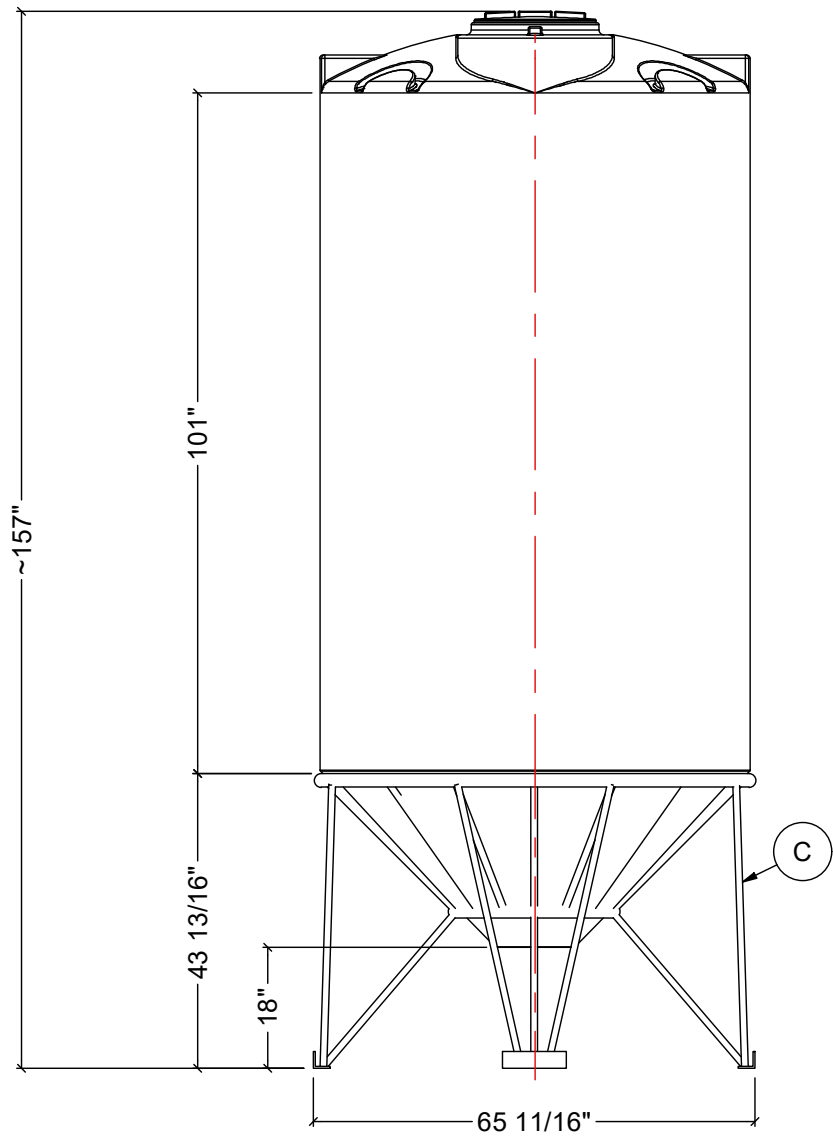


- NOTES:
1. TANK IS MANUFACTURED FROM POLYETHYLENE (PE) OR CROSSLINK PE (XLPE).
 2. RATING FOR STORING LIQUIDS WITH A SPECIFIC GRAVITY (DENSITY) OF 1.9SG.
 3. ALL TANK DIMENSIONS ARE SUBJECT TO A +/-3% TOLERANCE.
 4. ALL EXTERNAL PIPING AND ACCESSORIES MUST BE FULLY SUPPORTED AND FLEXIBLE TO AVOID STRESSING THE TANK.
 5. FITTING GASKETS AVAILABLE IN EPDM OR VITON.
 6. TANK MUST BE PROPERLY VENTED TO PREVENT PRESSURE OR VACUUM FROM DEVELOPING AS THE TANK IS FILLING OR EMPTYING.

MATERIALS LIST		
ITEMS	DESCRIPTION	NOTES
A	CBC-1260 CONE BOTTOM TANK	
B	15" THREADED LID	
C	STEEL STAND FOR CBC-1260	



REV	DATE	DESCRIPTION	BY	APPD	REVD
REVISIONS					
CUSTOMER					
TITLE		ACO JOB NO:			
1250 IG CONE BOTTOM TANK WITH STAND		PURCHASE ORDER NO:			
		PURCHASER'S EQUIP. NO:			
THIS DRAWING IS THE PROPERTY OF ROTOPLAST INC. AND SHALL NOT BE COPIED OR TRANSFERRED WITHOUT THE WRITTEN CONSENT OF ROTOPLAST INC.					
ENGINEERS SEAL		ACO CONTAINER SYSTEMS DIVISION OF ROTOPLAST INC. <small>PICKERING - ONTARIO - CANADA</small>			
		<small>ACO CONTAINER SYSTEMS</small> <small>DIVISION OF ROTOPLAST INC.</small> <small>794 MCKAY RD.</small> <small>PICKERING, ONTARIO, CANADA</small> <small>TEL. 905-683-8222</small> <small>FAX 905-683-2969</small>	<small>DESIGNED</small> <small>DRAWN</small> <small>CHECKED</small> <small>APPROVED</small> <small>SCALE</small> <small>DATE</small>	<small>WM</small> <small>N.T.S.</small> <small>0</small>	<small>REV</small>
DWG No		CBC-1260			REV