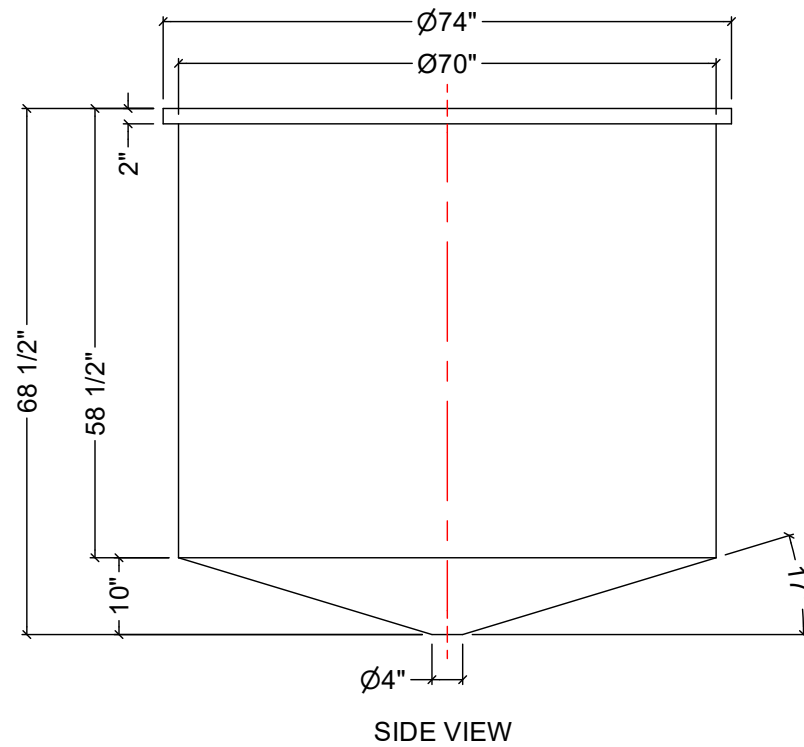
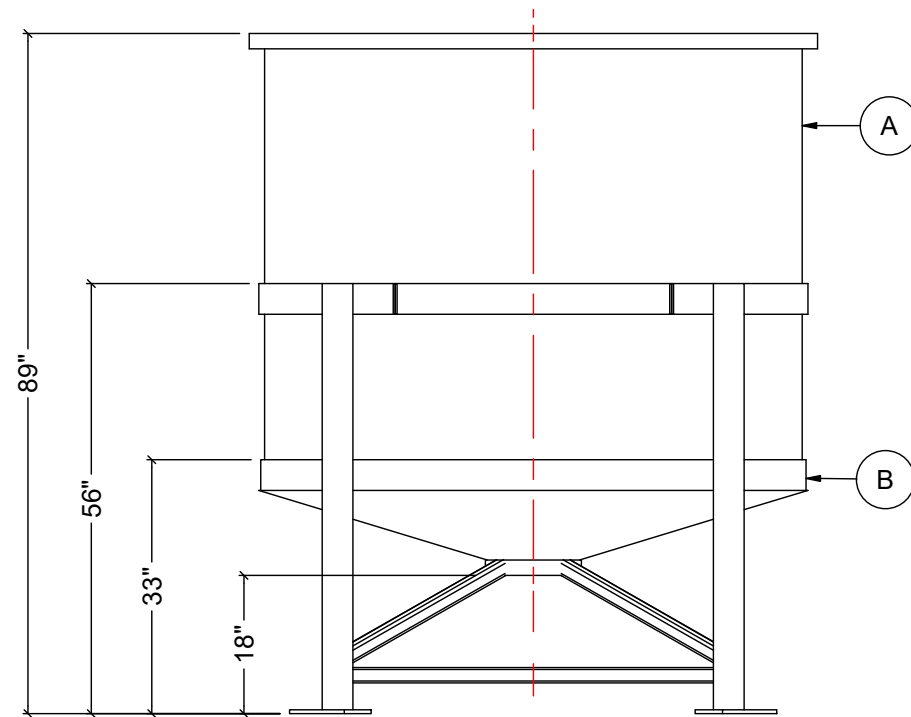
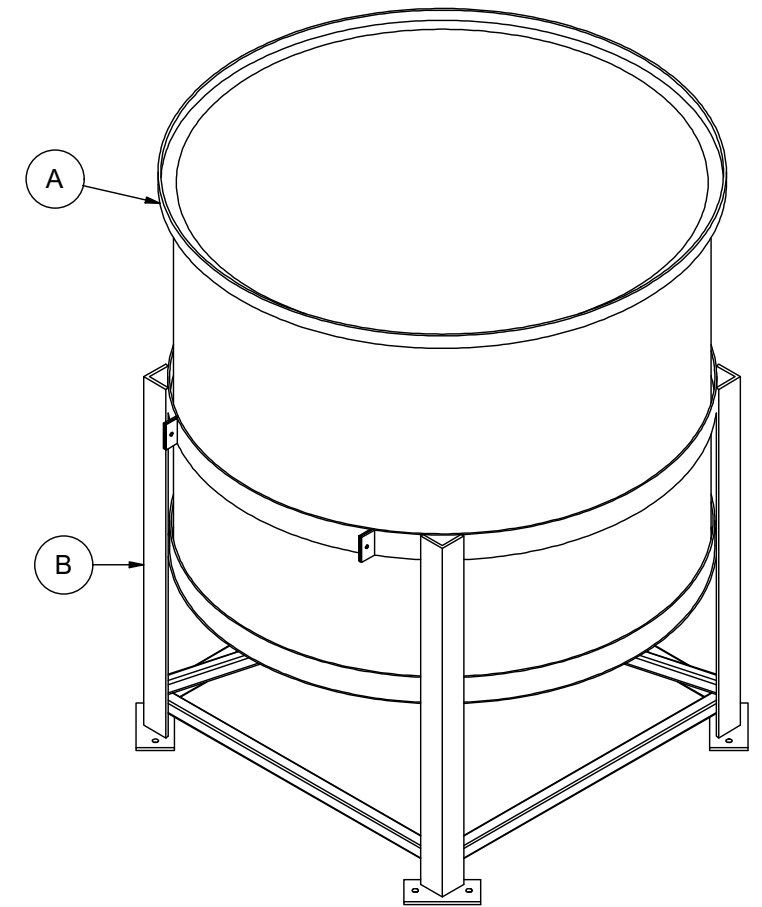


- NOTES:
1. TANK IS MANUFACTURED FROM POLYETHYLENE (PE).
 2. RATING FOR STORING LIQUIDS WITH A SPECIFIC GRAVITY (DENSITY) OF 1.5SG. (1.9SG OR 2.2SG ALSO AVAILABLE)
 3. ALL TANK DIMENSIONS ARE SUBJECT TO A +/-3% TOLERANCE.
 4. ALL EXTERNAL PIPING AND ACCESSORIES MUST BE FULLY SUPPORTED AND FLEXIBLE TO AVOID STRESSING THE TANK.
 5. FITTING GASKETS AVAILABLE IN EPDM OR VITON.

MATERIALS LIST		
ITEMS	DESCRIPTION	NOTES
A	CBO-750 TANK	
B	STEEL STAND FOR CBO-750	



REV	DATE	DESCRIPTION	BY	APPD	REVD
REVISIONS					
CUSTOMER					
TITLE			ACO JOB NO:		
750 IG CONE BOTTOM			PURCHASE ORDER NO:		
OPEN TOP TANK			PURCHASER'S EQUIP. NO:		
THIS DRAWING IS THE PROPERTY OF ROTOPLAST INC. AND SHALL NOT BE COPIED OR TRANSFERRED WITHOUT THE WRITTEN CONSENT OF ROTOPLAST INC.					
ENGINEERS SEAL		ACO CONTAINER SYSTEMS DIVISION OF ROTOPLAST INC. <small>PICKERING - ONTARIO - CANADA</small>			
ACO CONTAINER SYSTEMS		DESIGNED			
DIVISION OF ROTOPLAST INC.		DRAWN	WM		
794 MCKAY RD.		CHECKED			
PICKERING, ONTARIO, CANADA		APPROVED			
TEL. 905-683-8222		SCALE	N.T.S.		
FAX 905-683-2969		DATE	29-03-16		
DWG No		CBO-750		REV	0