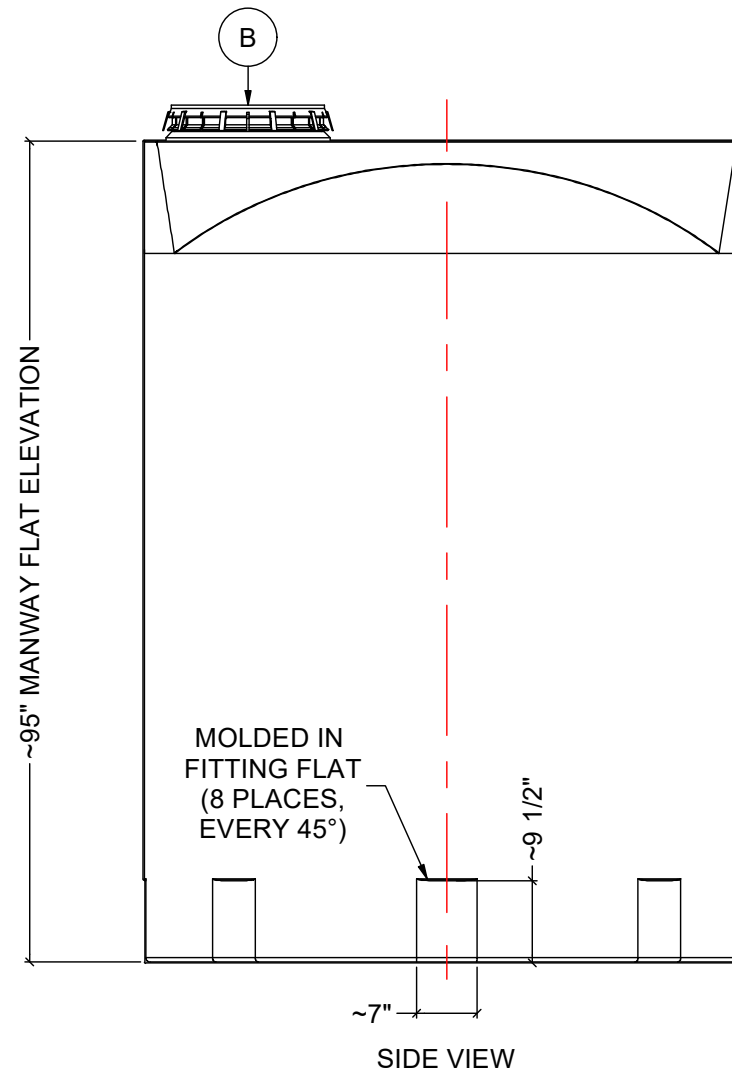
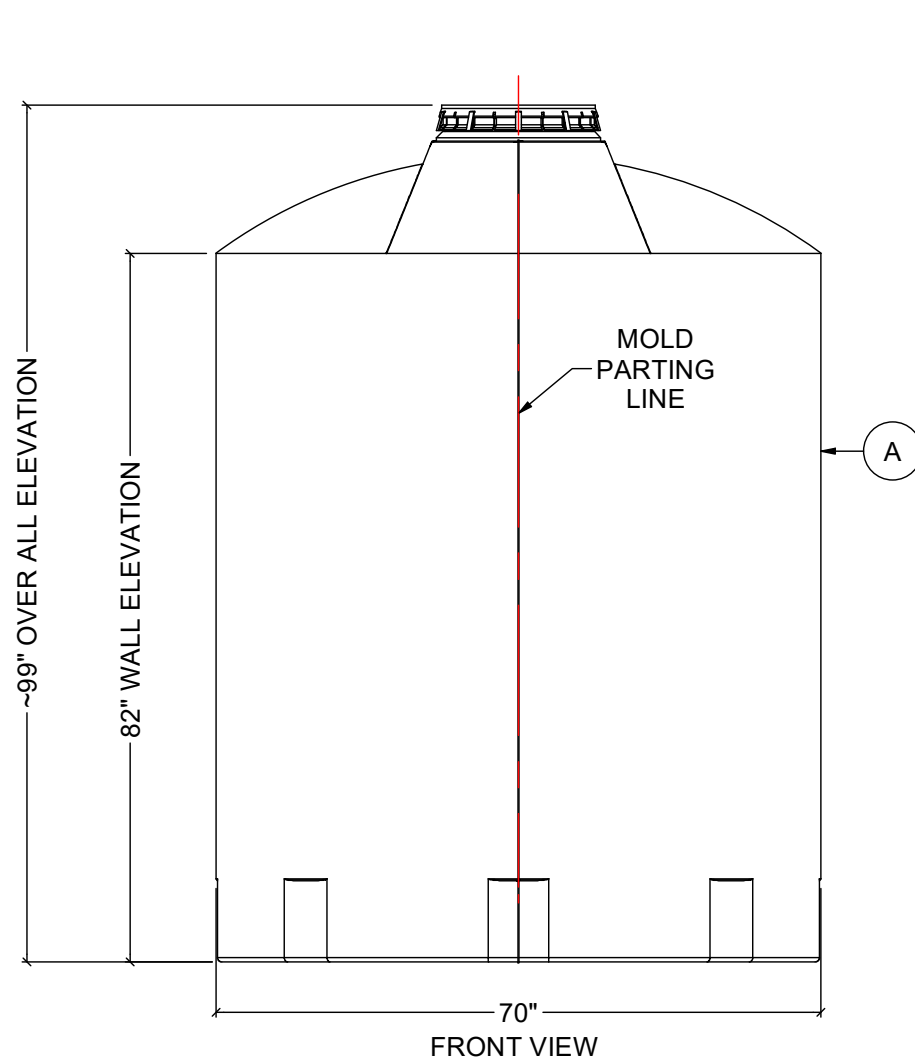
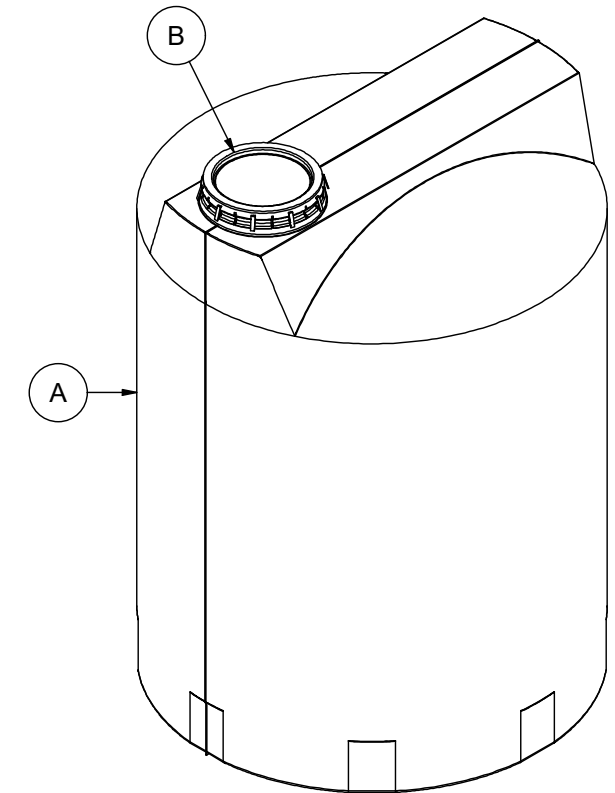


NOTES:

1. TANK IS MANUFACTURED FROM POLYETHYLENE (PE) OR CROSSLINK PE (XLPE).
2. RATED FOR STORING LIQUIDS WITH A SPECIFIC GRAVITY (DENSITY) OF 1.5SG.(1.9SG OR 2.2SG ALSO AVAILABLE)
3. ALL TANK DIMENSIONS ARE SUBJECT TO A +/-3% TOLERANCE.
4. ALL EXTERNAL PIPING AND ACCESSORIES MUST BE FULLY SUPPORTED AND FLEXIBLE TO AVOID STRESSING THE TANK.
5. FITTING GASKETS AVAILABLE IN EPDM OR VITON.
6. TANK MUST BE PROPERLY VENTED TO PREVENT PRESSURE OR VACUUM FROM DEVELOPING AS THE TANK IS FILLING OR EMPTYING.
7. TANK IS MANUFACTURED TO ASTM-D-1998 STANDARD.

MATERIALS LIST		
ITEMS	DESCRIPTION	NOTES
A	CT-1250 CLOSED TOP TANK	
B	16" LID WITH LOCKING STRAP	



REV	DATE	DESCRIPTION	BY	APPD	REVD
1	OCT-26-18	ADDED FITTING FLATS AND PARTING LINE	WM		

REVISIONS

CUSTOMER

TITLE: 1250 IG CLOSED TOP TANK

ACO JOB NO:
PURCHASE ORDER NO:
PURCHASER'S EQUIP. NO:

THIS DRAWING IS THE PROPERTY OF ROTOPLAST INC. AND SHALL NOT BE COPIED OR TRANSFERRED WITHOUT THE WRITTEN CONSENT OF ROTOPLAST INC.

ACO CONTAINER SYSTEMS
A division of Rotoplast Inc.

ENGINEERS SEAL: [Blank]

ACO CONTAINER SYSTEMS
DIVISION OF ROTOPLAST INC.
794 MCKAY ROAD
PICKERING, ONTARIO, CANADA
TEL: 905-683-8222
WEB: ACOTAINERS.COM

DESIGNED	WM
DRAWN	
CHECKED	
APPROVED	
SCALE	N.T.S.
DATE	OCT-26-2018

DWG No: CT-1250

REV 1