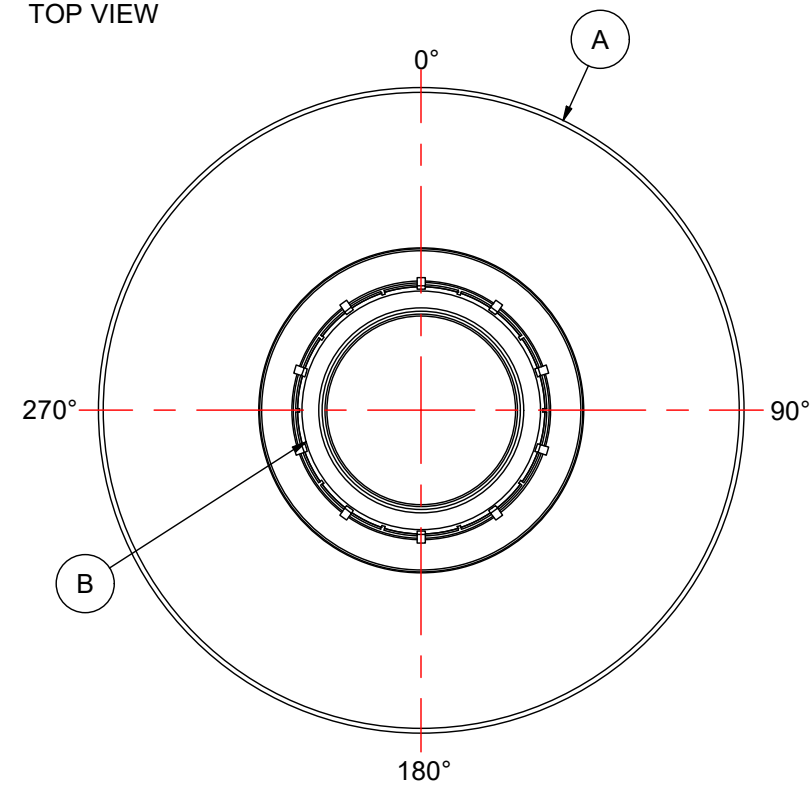
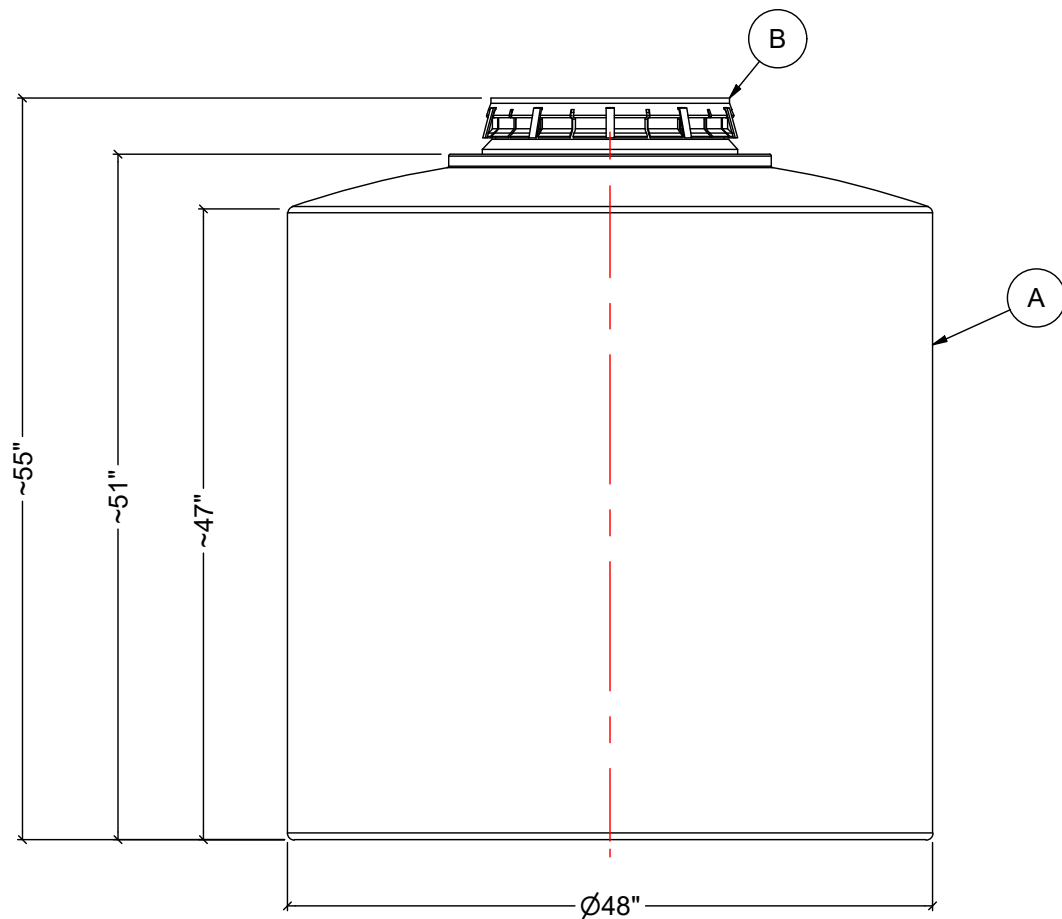
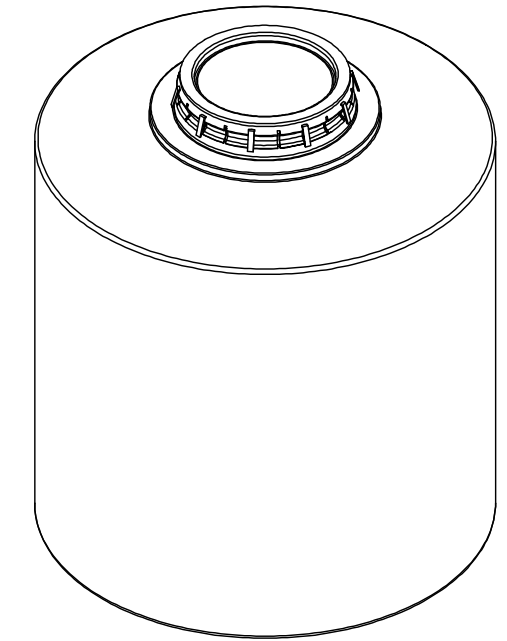


TOP VIEW

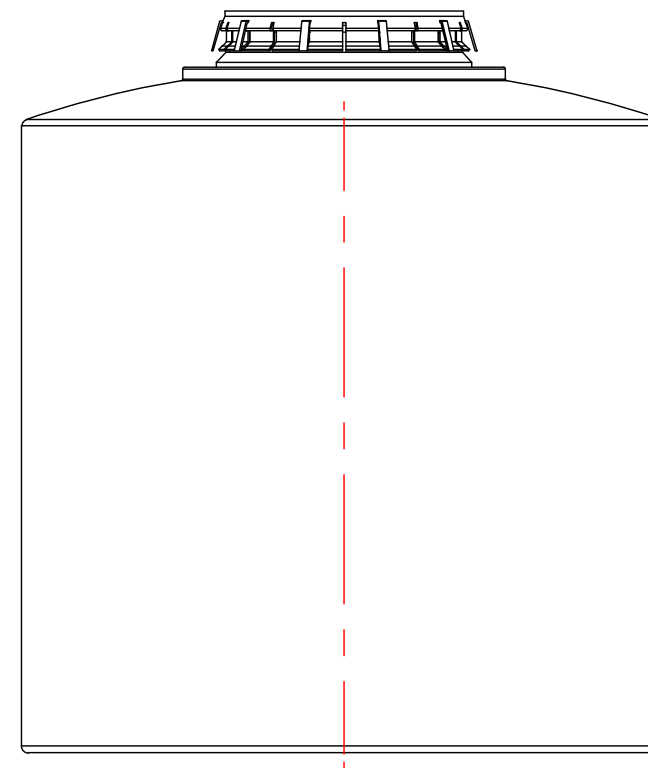


- NOTES:
1. TANK IS MANUFACTURED FROM POLYETHYLENE (PE) OR CROSSLINK PE (XLPE).
 2. RATED FOR STORING LIQUIDS WITH A SPECIFIC GRAVITY (DENSITY) OF 1.5SG. (1.9SG OR 2.2SG ALSO AVAILABLE)
 3. ALL TANK DIMENSIONS ARE SUBJECT TO A +/-3% TOLERANCE.
 4. ALL EXTERNAL PIPING AND ACCESSORIES MUST BE FULLY SUPPORTED AND FLEXIBLE TO AVOID STRESSING THE TANK.
 5. FITTING GASKETS AVAILABLE IN EPDM OR VITON.
 6. TANK MUST BE PROPERLY VENTED TO PREVENT PRESSURE OR VACUUM FROM DEVELOPING AS THE TANK IS FILLING OR EMPTYING.


MATERIALS LIST		
ITEMS	DESCRIPTION	NOTES
A	CT-300-DT CLOSED TOP TANK	
B	16" LID WITH LOCKING STRAP	



FRONT VIEW



SIDE VIEW

REV	DATE	DESCRIPTION	BY	APPD	REVD	
REVISIONS						
CUSTOMER						
TITLE		ACO JOB NO:				
300 IG / 360 USG / 1360 L		PURCHASE ORDER NO:				
CLOSED TOP TANK		PURCHASER'S EQUIP. NO:				
THIS DRAWING IS THE PROPERTY OF ROTOPLAST INC. AND SHALL NOT BE COPIED OR TRANSFERRED WITHOUT THE WRITTEN CONSENT OF ROTOPLAST INC.		 ACO CONTAINER SYSTEMS <i>A division of Rotoplast Inc.</i>				
						ENGINEERS SEAL
DESIGNED		DRAWN		WM		
CHECKED		APPROVED		N.T.S.		
SCALE		DATE		NOV-13-2023		
DWG No		CT-300-DT-2024			REV	0