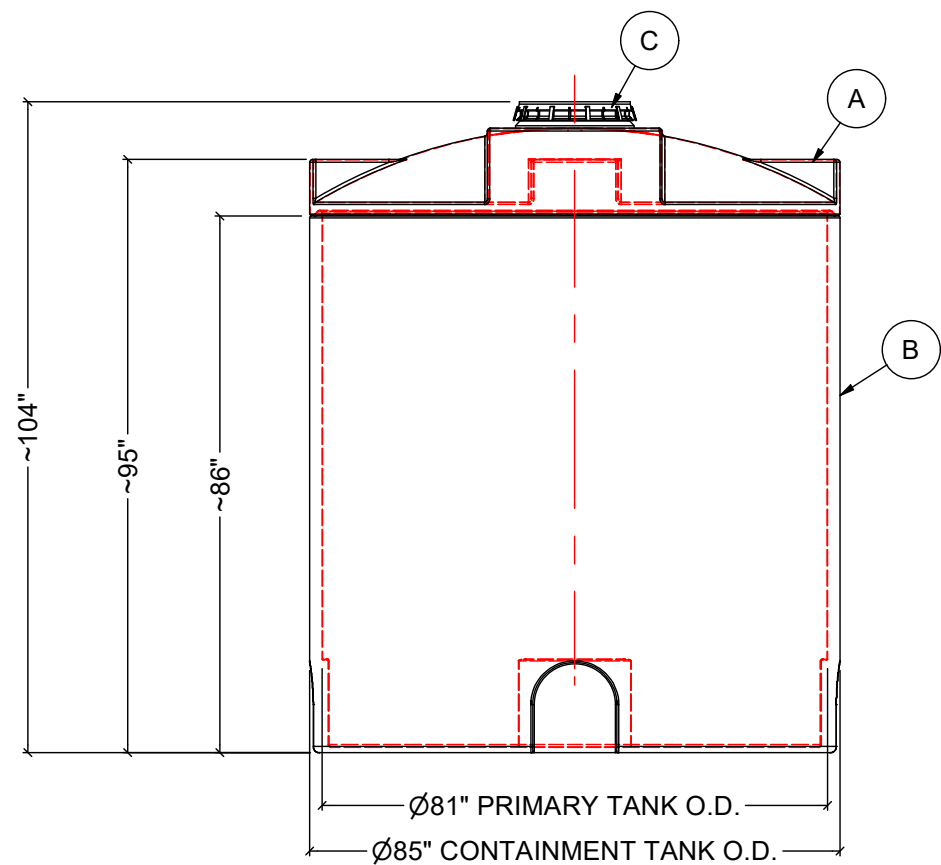
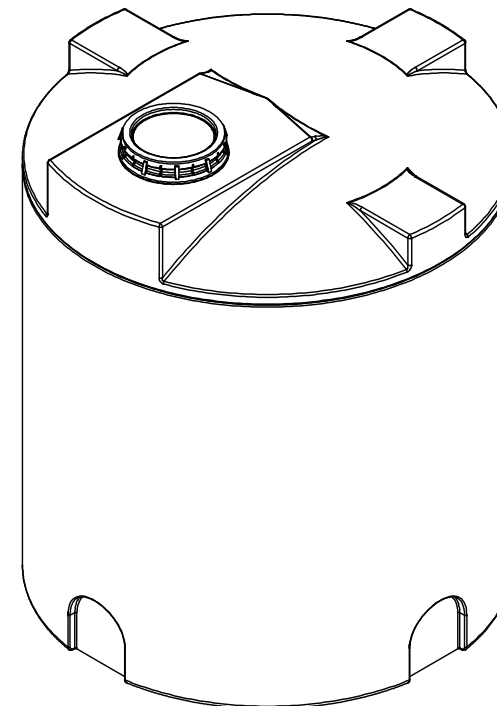
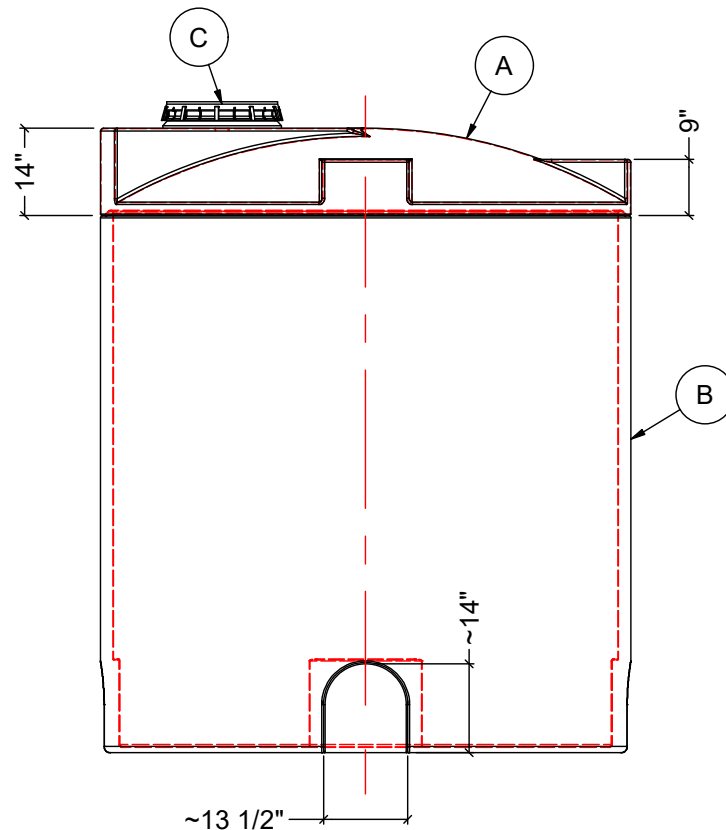


- NOTES:
1. TANK IS MANUFACTURED FROM POLYETHYLENE (PE) OR CROSSLINK PE (XLPE).
  2. RATING FOR STORING LIQUIDS WITH A SPECIFIC GRAVITY (DENSITY) OF 1.5SG. (1.9SG AND 2.2SG ALSO AVAILABLE)
  3. ALL TANK DIMENSIONS ARE SUBJECT TO A +/-3% TOLERANCE.
  4. ALL EXTERNAL PIPING AND ACCESSORIES MUST BE FULLY SUPPORTED AND FLEXIBLE TO AVOID STRESSING THE TANK.
  5. FITTING GASKETS AVAILABLE IN EPDM OR VITON.
  6. TANK MUST BE PROPERLY VENTED TO PREVENT PRESSURE OR VACUUM FROM DEVELOPING AS THE TANK IS FILLING OR EMPTYING.
  7. STANDARD LID IS 16" NON-VENTED. LID ALSO AVAILABLE IN 21" VENTED OR NON-VENTED.
  8. TANK IS MANUFACTURED TO ASTM-D-1998 STANDARD
  9. BOTTOM OUTLET FITTING MAY ONLY BE INSTALLED ON A FITTING FLAT LOCATED AT 0°, 90°, 180° OR 270°.
  10. CONTAINMENT TANK IS 1.5SG PE AS STANDARD.

MATERIALS LIST		
ITEMS	DESCRIPTION	NOTES
A	DMT-1500 PRIMARY TANK	
B	DMT-1500 CONTAINMENT TANK	
C	16" LID WITH LOCKING STRAP	




FRONT VIEW



SIDE VIEW

REV	DATE	DESCRIPTION	BY	APPD	REVD
1	NOV-11-21	RELOCATED LID	WM		

REVISIONS					
CUSTOMER					
TITLE			ACO JOB NO:		
1500 IG / 1800 USG / 6800 L			PO#:		
DOUBLE WALL TANK			EQUIP. NO:		

THIS DRAWING IS THE PROPERTY OF ROTOPLAST INC. AND SHALL NOT BE COPIED OR TRANSFERRED WITHOUT THE WRITTEN CONSENT OF ROTOPLAST INC.	 <p>ACO CONTAINER SYSTEMS DIVISION OF ROTOPLAST INC. 794 MCKAY ROAD PICKERING, ONTARIO, CANADA TEL: 905-683-8222 WEB: ACOTAINERS.COM</p>	DESIGNED	
		DRAWN	WM
ENGINEERS SEAL		CHECKED	
		APPROVED	
		SCALE	N.T.S.
		DATE	JAN-18-2021
DWG No	DMT-1500	REV	1