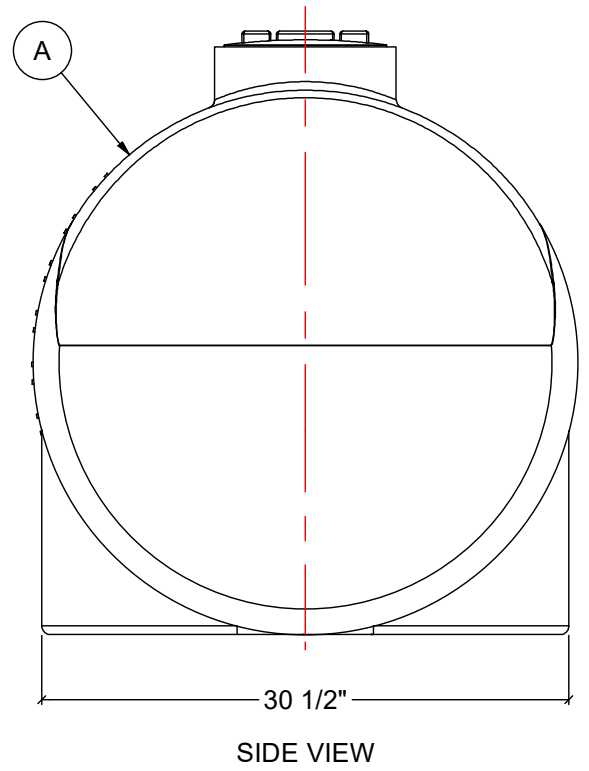
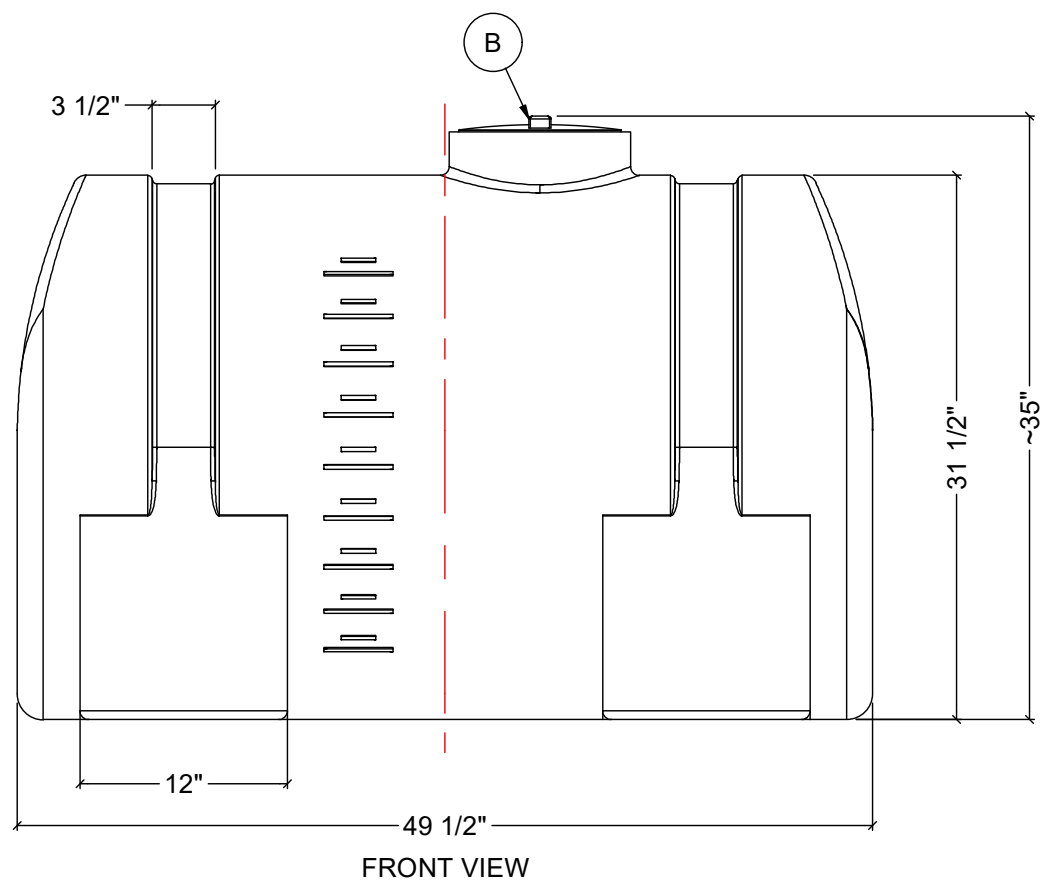
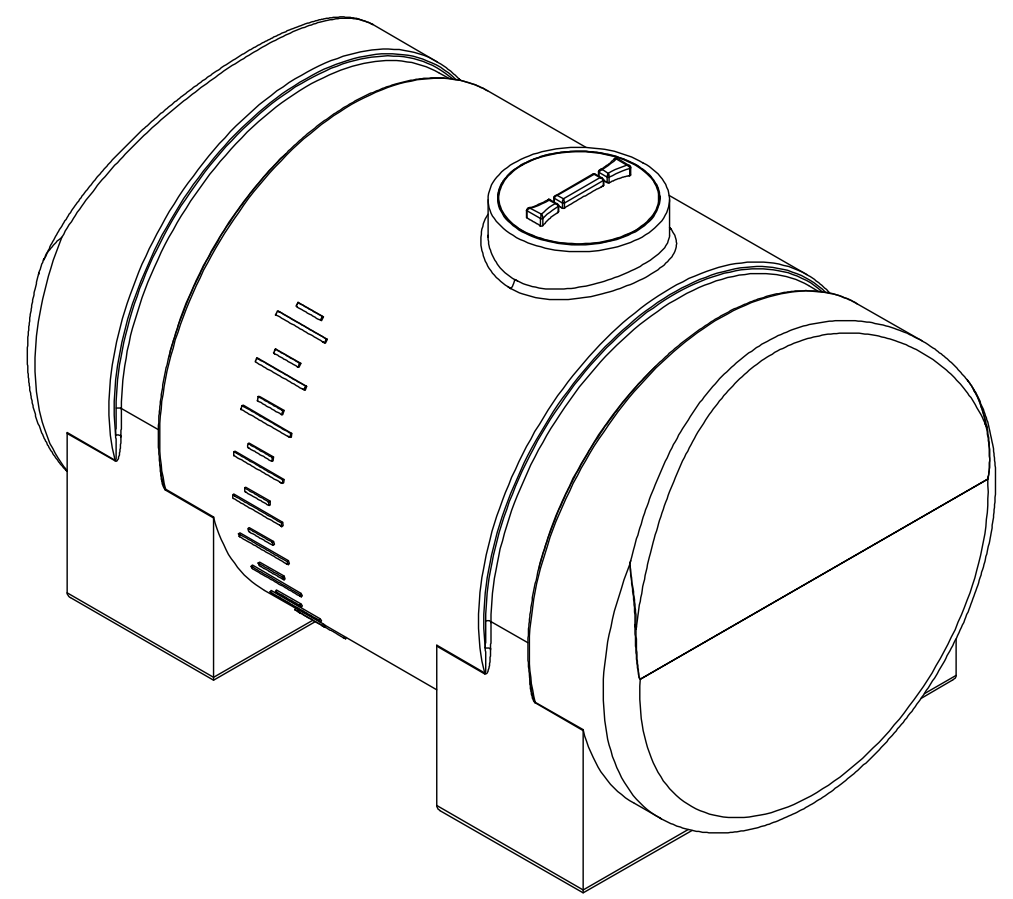
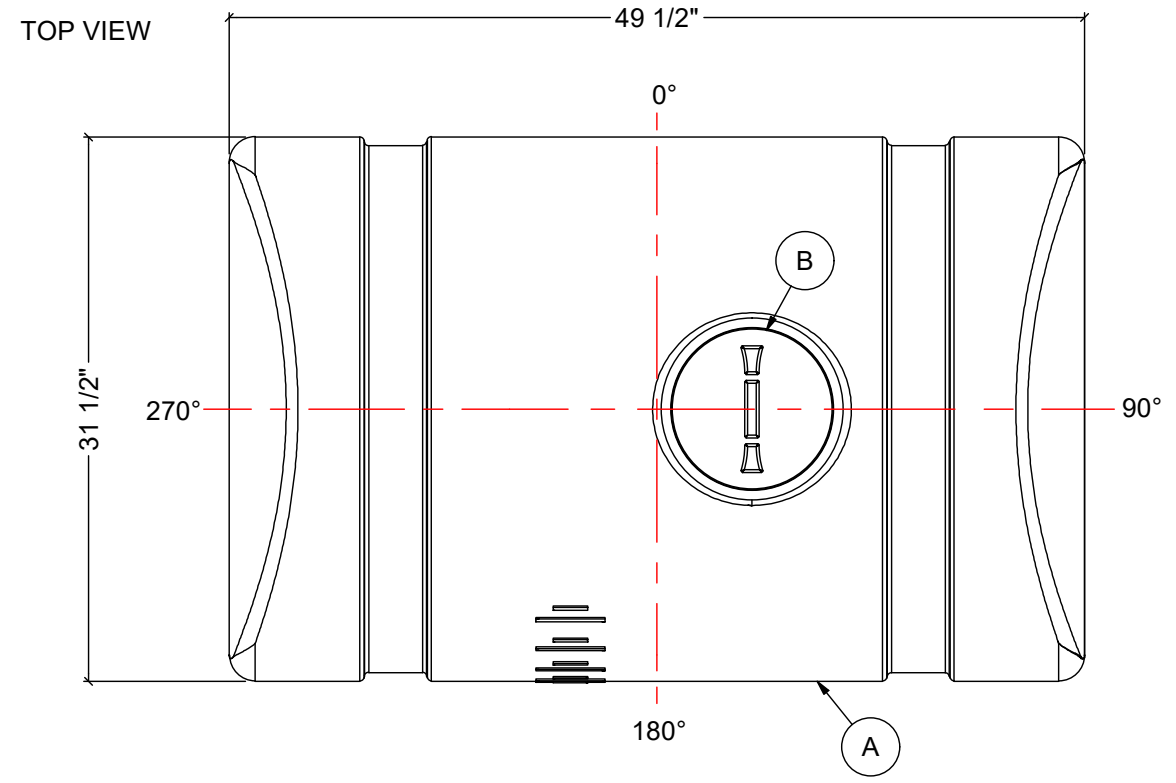


- NOTES:
1. TANK IS MANUFACTURED FROM POLYETHYLENE (PE) OR CROSSLINK PE (XLPE).
  2. RATING FOR STORING LIQUIDS WITH A SPECIFIC GRAVITY (DENSITY) OF 1.5SG. (1.9SG OR 2.2SG ALSO AVAILABLE)
  3. ALL TANK DIMENSIONS ARE SUBJECT TO A +/-3% TOLERANCE.
  4. ALL EXTERNAL PIPING AND ACCESSORIES MUST BE FULLY SUPPORTED AND FLEXIBLE TO AVOID STRESSING THE TANK.
  5. FITTING GASKETS AVAILABLE IN EPDM OR VITON.
  6. TANK MUST BE PROPERLY VENTED TO PREVENT PRESSURE OR VACUUM FROM DEVELOPING AS THE TANK IS FILLING OR EMPTYING.

MATERIALS LIST		
ITEMS	DESCRIPTION	NOTES
A	IHFS-125	
B	8" THREADED LID	



REV	DATE	DESCRIPTION	BY	APPD	REVD												
REVISIONS																	
CUSTOMER																	
TITLE		ACO JOB NO:															
125 IG HORIZONTAL TANK		PURCHASE ORDER NO:															
		PURCHASER'S EQUIP. NO:															
THIS DRAWING IS THE PROPERTY OF ROTOPLAST INC. AND SHALL NOT BE COPIED OR TRANSFERRED WITHOUT THE WRITTEN CONSENT OF ROTOPLAST INC.																	
ENGINEERS SEAL		<b>ACO CONTAINER SYSTEMS</b> DIVISION OF ROTOPLAST INC. <small>PICKERING - ONTARIO - CANADA</small>															
		<small>ACO CONTAINER SYSTEMS</small> <small>DIVISION OF ROTOPLAST INC.</small> <small>794 MCKAY RD.</small> <small>PICKERING, ONTARIO, CANADA</small> <small>TEL. 905-683-8222</small> <small>FAX 905-683-2969</small>		<table border="1"> <tr> <td>DESIGNED</td> <td></td> </tr> <tr> <td>DRAWN</td> <td>WM</td> </tr> <tr> <td>CHECKED</td> <td></td> </tr> <tr> <td>APPROVED</td> <td></td> </tr> <tr> <td>SCALE</td> <td>N.T.S.</td> </tr> <tr> <td>DATE</td> <td>21-03-16</td> </tr> </table>		DESIGNED		DRAWN	WM	CHECKED		APPROVED		SCALE	N.T.S.	DATE	21-03-16
DESIGNED																	
DRAWN	WM																
CHECKED																	
APPROVED																	
SCALE	N.T.S.																
DATE	21-03-16																
DWG No		IHFS-125			REV 0												