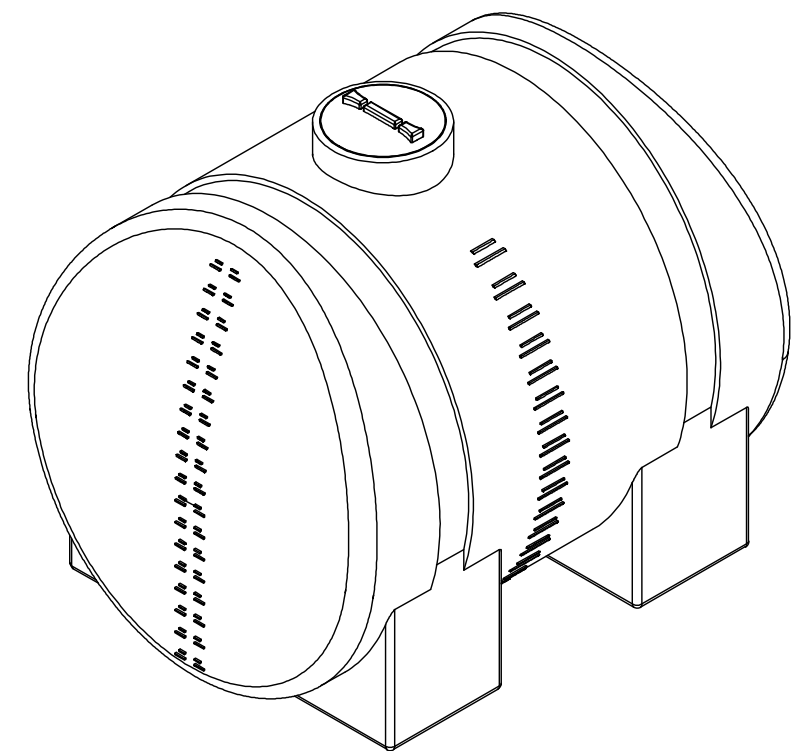


- NOTES:
1. TANK IS MANUFACTURED FROM POLYETHYLENE (PE) OR CROSSLINK PE (XLPE).
  2. RATING FOR STORING LIQUIDS WITH A SPECIFIC GRAVITY (DENSITY) OF 1.5SG. (1.9SG OR 2.2SG ALSO AVAILABLE)
  3. ALL TANK DIMENSIONS ARE SUBJECT TO A +/-3% TOLERANCE.
  4. ALL EXTERNAL PIPING AND ACCESSORIES MUST BE FULLY SUPPORTED AND FLEXIBLE TO AVOID STRESSING THE TANK.
  5. FITTING GASKETS AVAILABLE IN EPDM OR VITON.
  6. TANK MUST BE PROPERLY VENTED TO PREVENT PRESSURE OR VACUUM FROM DEVELOPING AS THE TANK IS FILLING OR EMPTYING.

| MATERIALS LIST |                 |       |
|----------------|-----------------|-------|
| ITEMS          | DESCRIPTION     | NOTES |
| A              | IHFS-170        |       |
| B              | 8" THREADED LID |       |
|                |                 |       |
|                |                 |       |
|                |                 |       |
|                |                 |       |
|                |                 |       |



| REV   | DATE | DESCRIPTION   | BY | APPD   | REVD  |
|---|------|---|----|--|-------|
| REVISIONS   |      |   |    |  |       |
| CUSTOMER  |      |   |    |  |       |
| TITLE   |      | ACO JOB NO:   |    |  |       |
| 170 IG HORIZONTAL TANKS   |      | PURCHASE ORDER NO:  |    |  |       |
|   |      | PURCHASER'S EQUIP. NO:  |    |  |       |
| THIS DRAWING IS THE PROPERTY OF ROTOPLAST INC. AND SHALL NOT BE COPIED OR TRANSFERRED WITHOUT THE WRITTEN CONSENT OF ROTOPLAST INC. |      |   |    |  |       |
| ENGINEERS SEAL  |      | <b>ACO CONTAINER SYSTEMS</b><br>DIVISION OF ROTOPLAST INC.<br><small>PICKERING - ONTARIO - CANADA</small>   |    |  |       |
|   |      | <small>ACO CONTAINER SYSTEMS</small><br><small>DIVISION OF ROTOPLAST INC.</small><br><small>794 MCKAY RD.</small><br><small>PICKERING, ONTARIO, CANADA</small><br><small>TEL. 905-683-8222</small><br><small>FAX 905-683-2969</small> |    | <small>DESIGNED</small><br><small>DRAWN</small> WM<br><small>CHECKED</small><br><small>APPROVED</small><br><small>SCALE</small> N.T.S.<br><small>DATE</small> 21-03-16 |       |
| DWG No  |      | IHFS-170  |    |  | REV 0 |