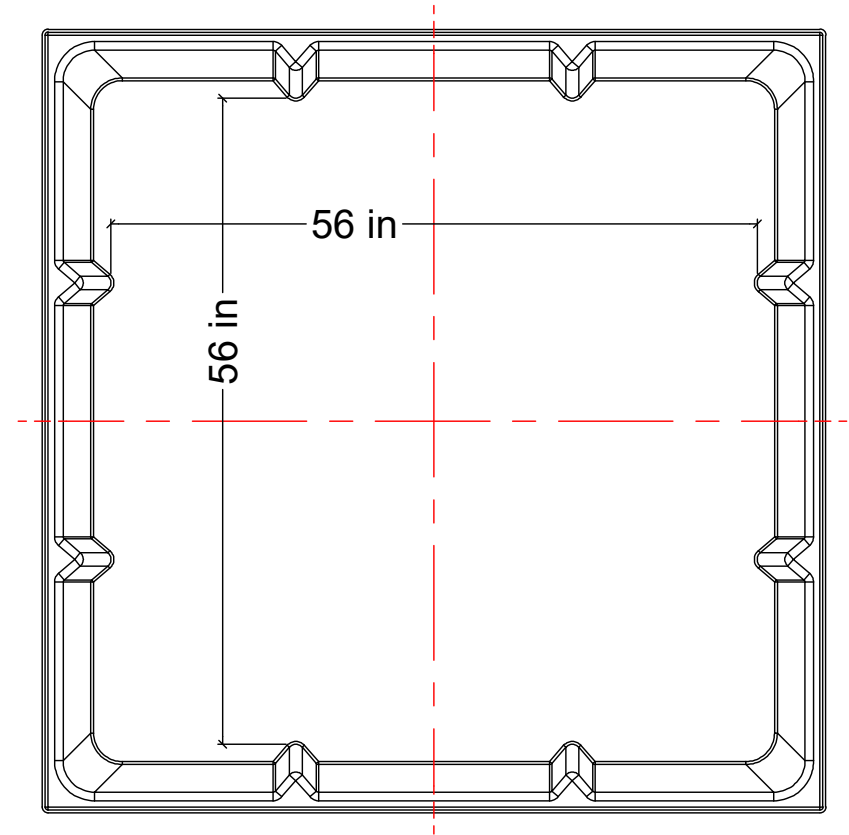


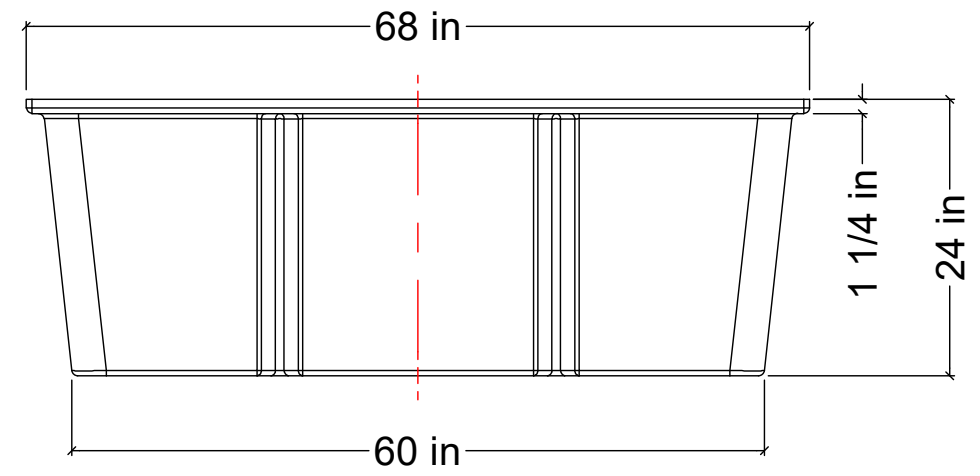
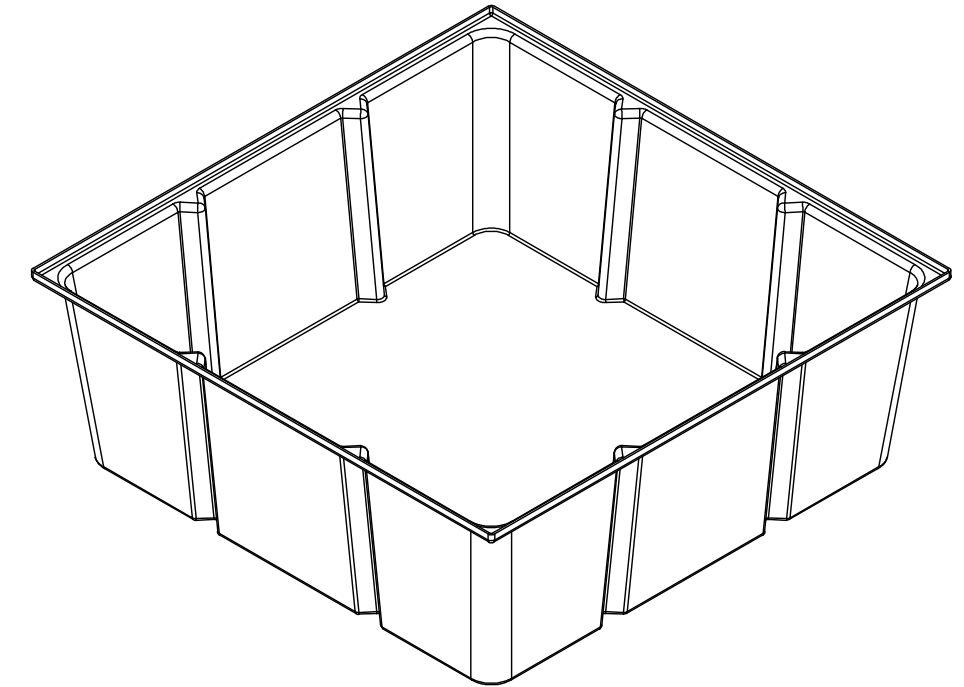
MATERIALS LIST

ITEMS	DESCRIPTION	NOTES
A	IRD-310 SECONDARY CONTAINMENT BASIN	

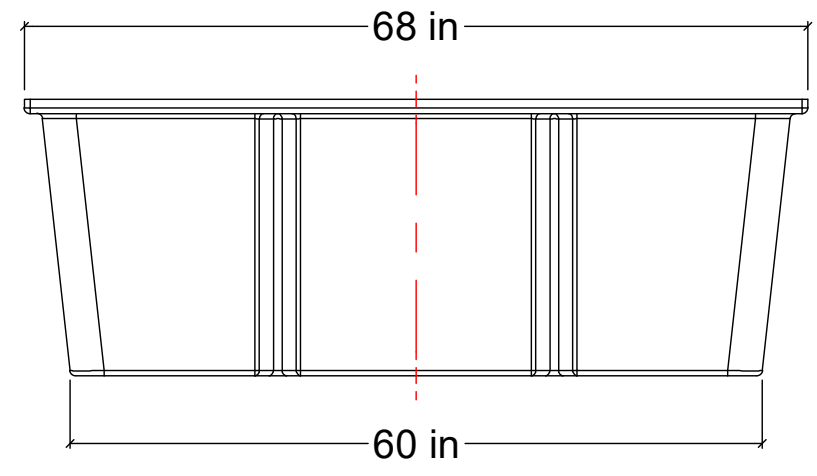
- NOTES:
 1. TANK IS MANUFACTURED FROM POLYETHYLENE (PE).
 2. ALL TANK DIMENSIONS ARE SUBJECT TO A +/-3% TOLERANCE.
 3. TANK CAPACITY: 310 I.G. (1400 L).



TOP VIEW



FRONT VIEW



SIDE VIEW

REV	DATE	DESCRIPTION	BY	APPD	REVD	
REVISIONS						
CUSTOMER						
TITLE 310 IG SECONDARY CONTAINMENT BASIN			ACO JOB NO: PURCHASE ORDER NO: PURCHASER'S EQUIP. NO:			
THIS DRAWING IS THE PROPERTY OF ROTOPLAST INC. AND SHALL NOT BE COPIED OR TRANSFERRED WITHOUT THE WRITTEN CONSENT OF ROTOPLAST INC.						
ENGINEERS SEAL		ACO CONTAINER SYSTEMS DIVISION OF ROTOPLAST INC.				
<small>PICKERING - ONTARIO - CANADA</small>						
<small>ACO CONTAINER SYSTEMS DIVISION OF ROTOPLAST INC. 794 MCKAY RD. PICKERING, ONTARIO, CANADA TEL. 905-683-8222 FAX 905-683-2969</small>				DESIGNED		
				DRAWN	WM	
				CHECKED		
				APPROVED		
				SCALE	N.T.S.	
				DATE	15-03-16	
DWG No		IRD-310			REV	0