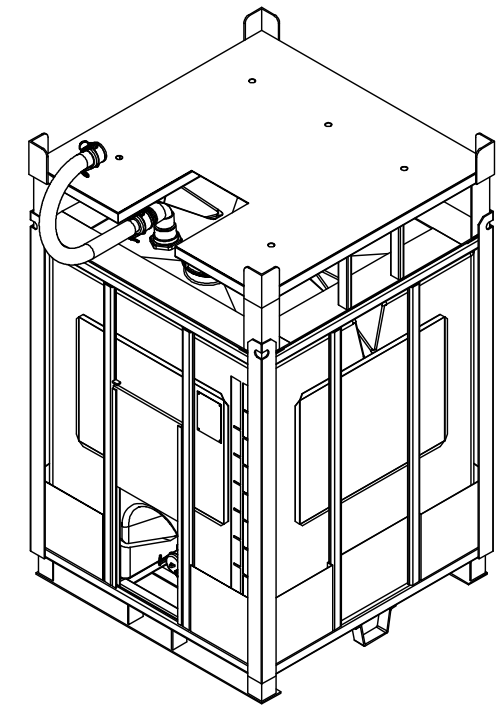
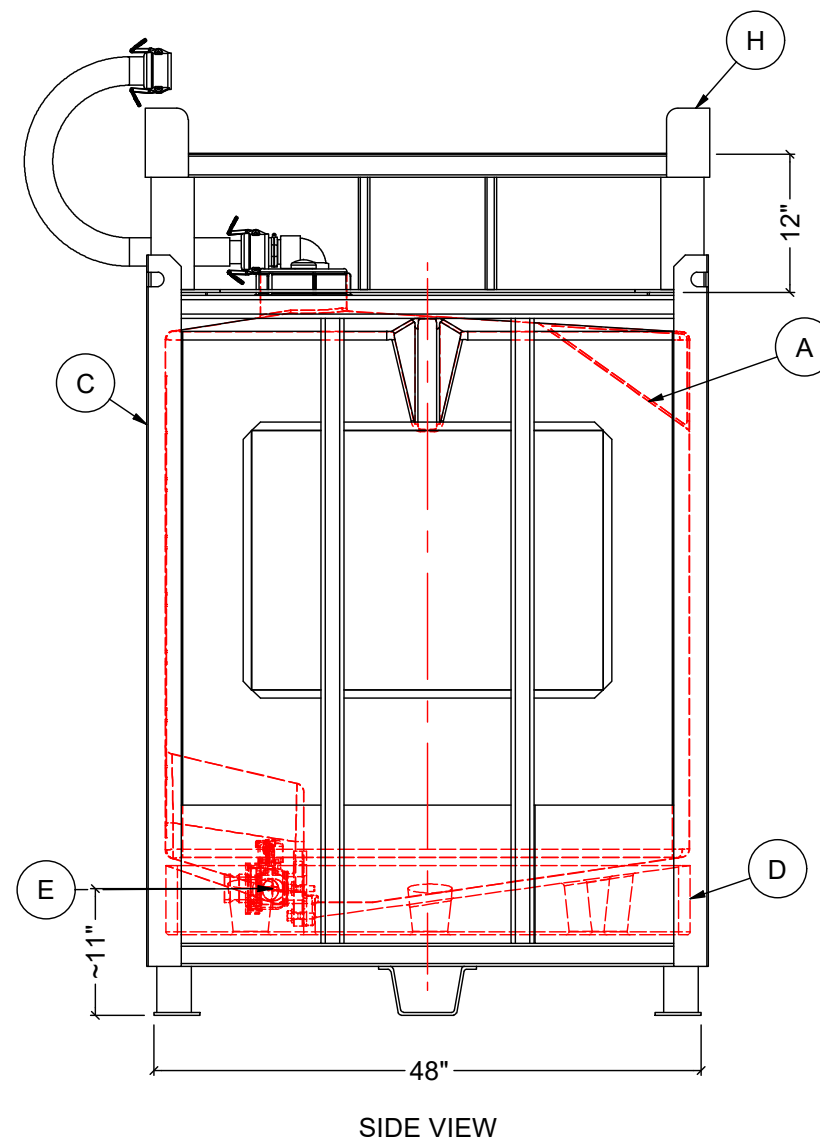
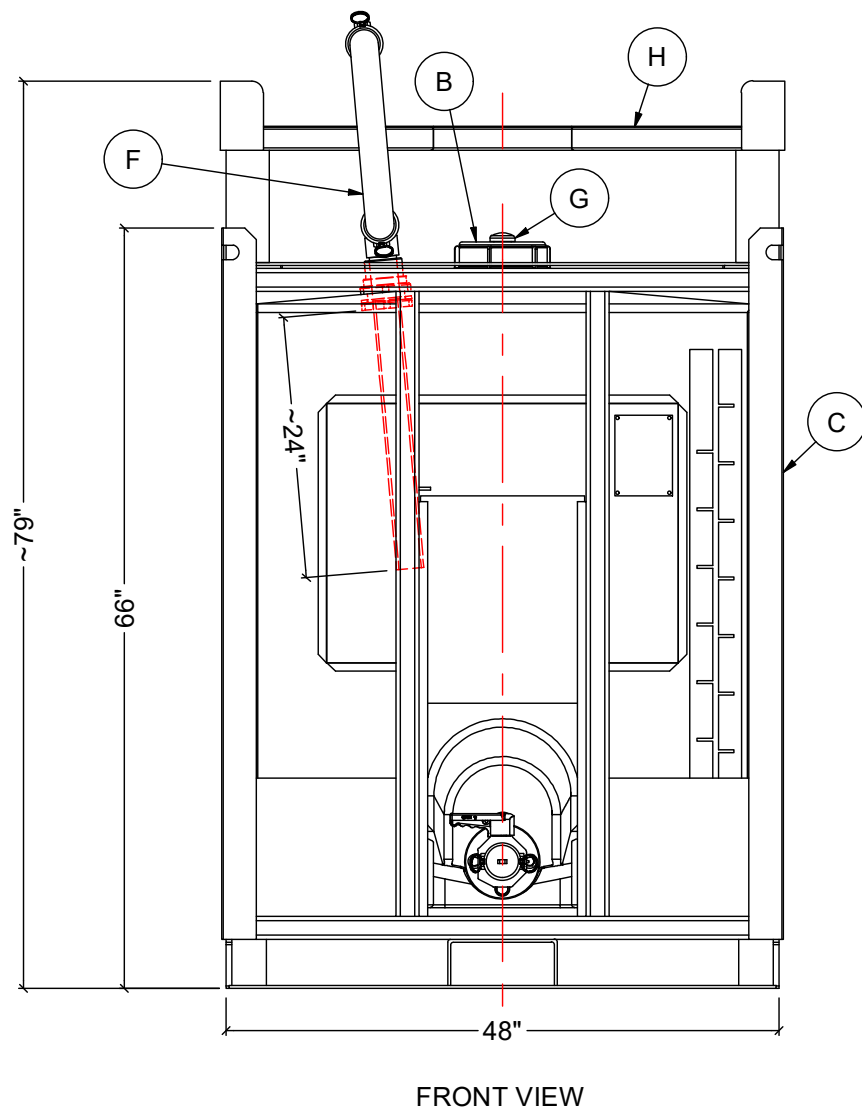



- NOTES:
 1. TANK IS AN ACO MODEL# PTC-330.
 2. ALL DIMENSIONS ARE APPROX.
 3. SOME PARTS WILL SHIP LOOSE TO AVOID DAMAGE DURING TRANSPORT.
 4. NOT UN APPROVED FOR TRANSPORTATION OF HAZARDOUS GOODS.

| MATERIALS LIST | | |
|----------------|-----------------------------------------------------------------------------|-------|
| ITEM | DESCRIPTION | NOTES |
| A | PTC-330 (HDPE OR XLPE) BOTTLE | |
| B | 6" HDPE THREADED LID WITH GASKET (EPDM OR VITON) AND TIE DOWN | |
| C | STEEL FRAME WITH 12" KICK PLATES AND VALVE PROTECTION GATE | |
| D | BLACK POLY FRAME PILLOW | |
| E | 2" BALL VALVE (POLYPRO OR STAINLESS STEEL) WITH GASKET (EPDM OR VITON) | |
| F | 2" DOWNLOAD ASSEMBLY WITH TRANSFER HOSE | |
| G | 1" TWO-WAY MUSHROOM VENT ASSEMBLY | |
| H | STEEL STACKING SPACER FOR PTC-330 WITH 12" ELEVATION AND POWDER COAT FINISH | |



| REV | DATE | DESCRIPTION | BY | APPD | REVD |
|-------------------------------------------------------------------------------------------------------------------------------------|------|-------------------------------------------------------------------------------------------------------------------------------------------------|-----------------------------------------------------------------------------------------------------------------------|----------|-------------|
| REVISIONS | | | | | |
| CUSTOMER | | | | | |
| TITLE | | | ACO JOB NO: | | |
| 330IG (1,550L) MOTHER BIN ASSEMBLY | | | PO#: | | |
| | | | EQUIP. NO: | | |
| THIS DRAWING IS THE PROPERTY OF ROTOPLAST INC. AND SHALL NOT BE COPIED OR TRANSFERRED WITHOUT THE WRITTEN CONSENT OF ROTOPLAST INC. | | |  A division of Rotoplast Inc. | | |
| ENGINEERS SEAL | | ACO CONTAINER SYSTEMS DIVISION OF ROTOPLAST INC. 794 MCKAY ROAD PICKERING, ONTARIO, CANADA TEL: 905-683-8222 WEB: ACOTAINERS.COM | | DESIGNED | WM |
| | | | | DRAWN | |
| | | | | CHECKED | |
| | | | | APPROVED | |
| | | | | SCALE | N.T.S. |
| | | | | DATE | NOV-13-2024 |
| DWG No | | | MOBI-330 | | REV 0 |