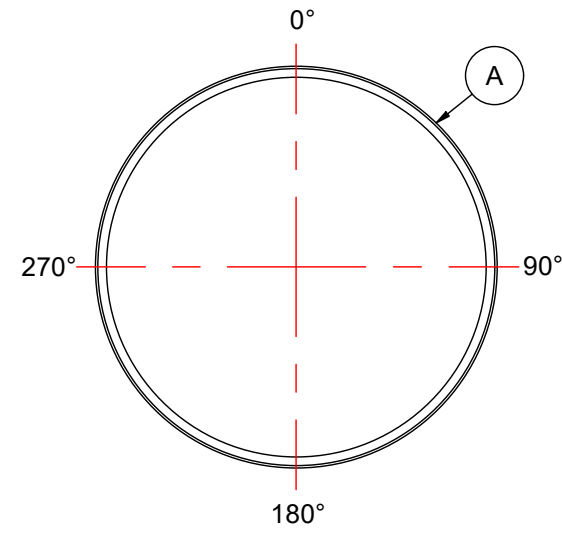


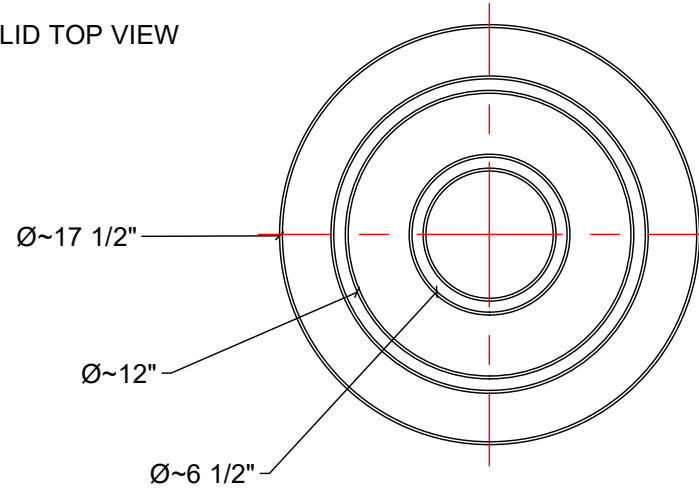
TOP VIEW



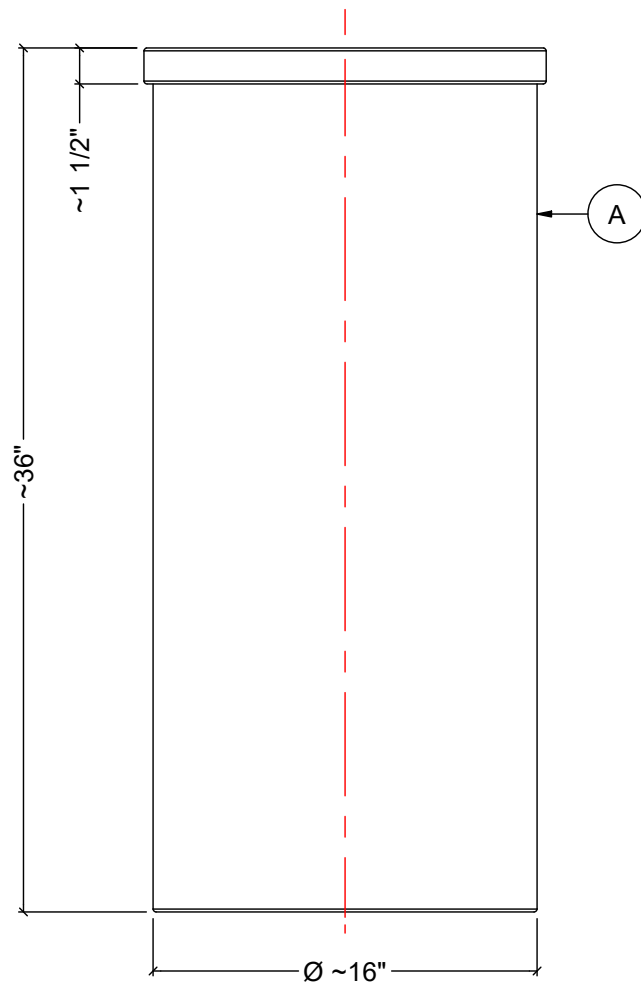
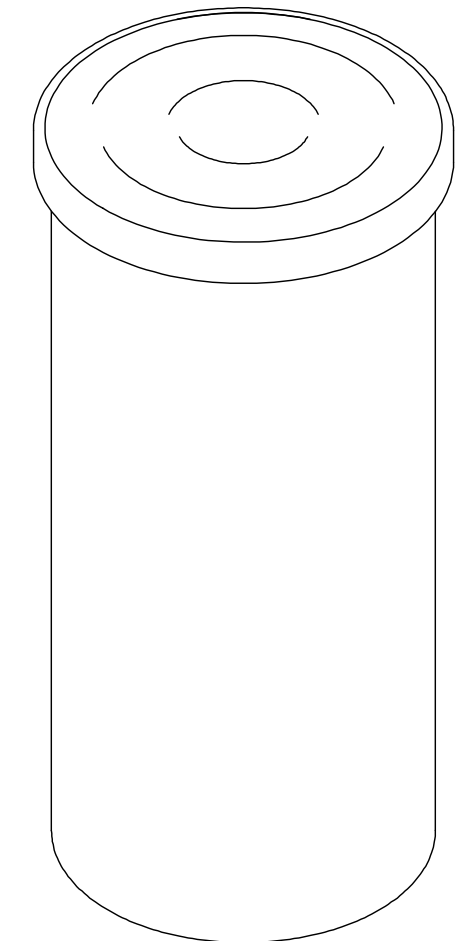
NOTES:

1. TANK IS MANUFACTURED FROM POLYETHYLENE (HDPE).
2. RATING FOR STORING LIQUIDS WITH A SPECIFIC GRAVITY (DENSITY) OF 1.5SG. (1.9SG ALSO AVAILABLE)
3. ALL TANK DIMENSIONS ARE SUBJECT TO A +/-3% TOLERANCE.
4. ALL EXTERNAL PIPING AND ACCESSORIES MUST BE FULLY SUPPORTED AND FLEXIBLE TO AVOID STRESSING THE TANK.
5. FITTING GASKETS AVAILABLE IN EPDM OR VITON.
6. TANK MUST BE PROPERLY VENTED TO PREVENT PRESSURE OR VACUUM FROM DEVELOPING AS THE TANK IS FILLING OR EMPTYING.

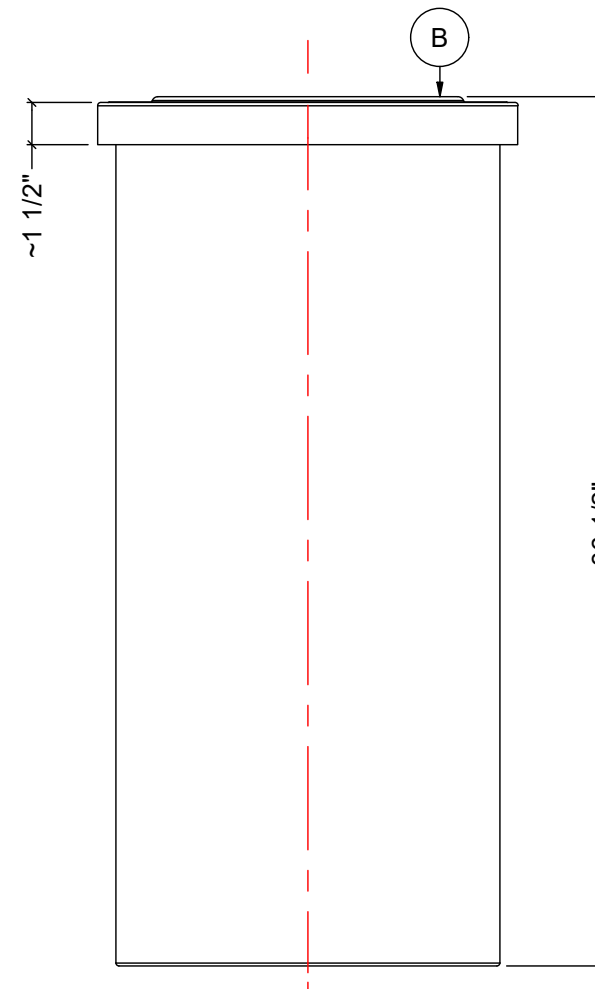
LID TOP VIEW




MATERIALS LIST			
ITEMS	PART#	DESCRIPTION	NOTES
A	OT-25	25 IG / 30 USG / 110 L OPEN TOP TANK	
B	OT-25-L	REMOVABLE LID FOR OT-25	



FRONT VIEW



SIDE VIEW w/ LID

REV	DATE	DESCRIPTION	BY	APPD	REVD
REVISIONS					
CUSTOMER					
TITLE 25 IG / 30USG / 110 L OPEN TOP TANK w/ LID			ACO JOB NO: PO#: EQUIP. NO:		
THIS DRAWING IS THE PROPERTY OF ROTOPLAST INC. AND SHALL NOT BE COPIED OR TRANSFERRED WITHOUT THE WRITTEN CONSENT OF ROTOPLAST INC.			 ACO CONTAINER SYSTEMS <i>A division of Rotoplast Inc.</i>		
DWG No		OT-25-L-2024			REV