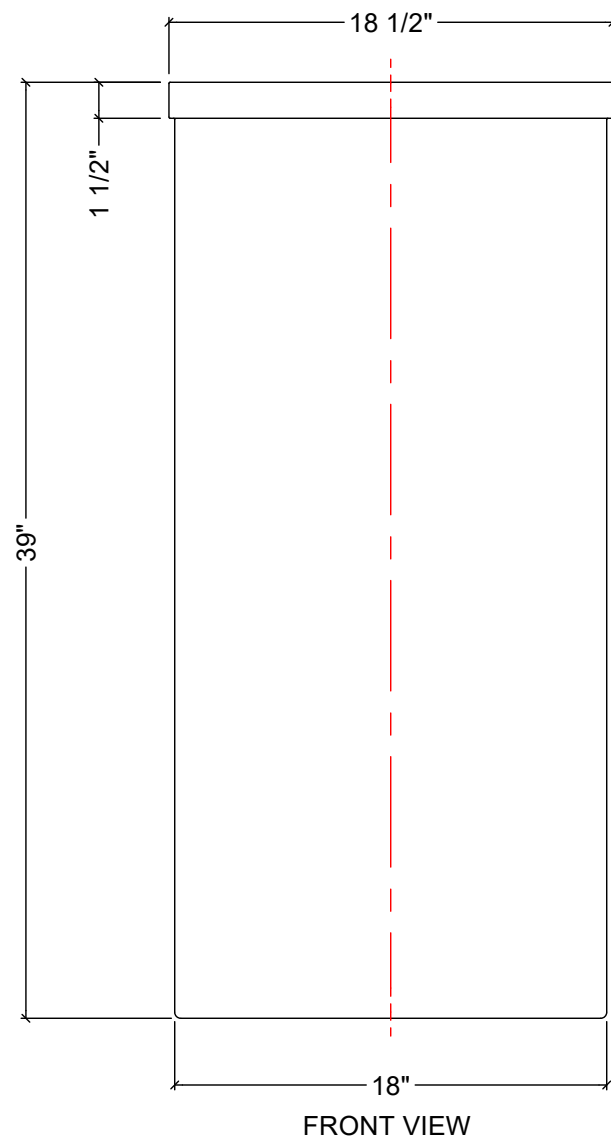
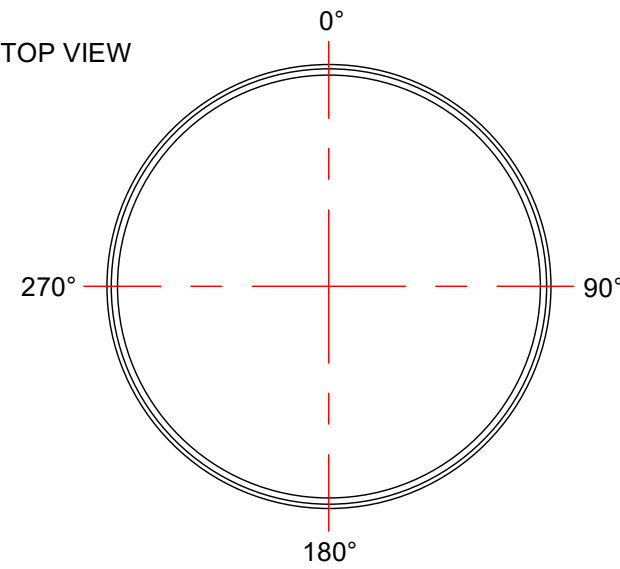


TOP VIEW

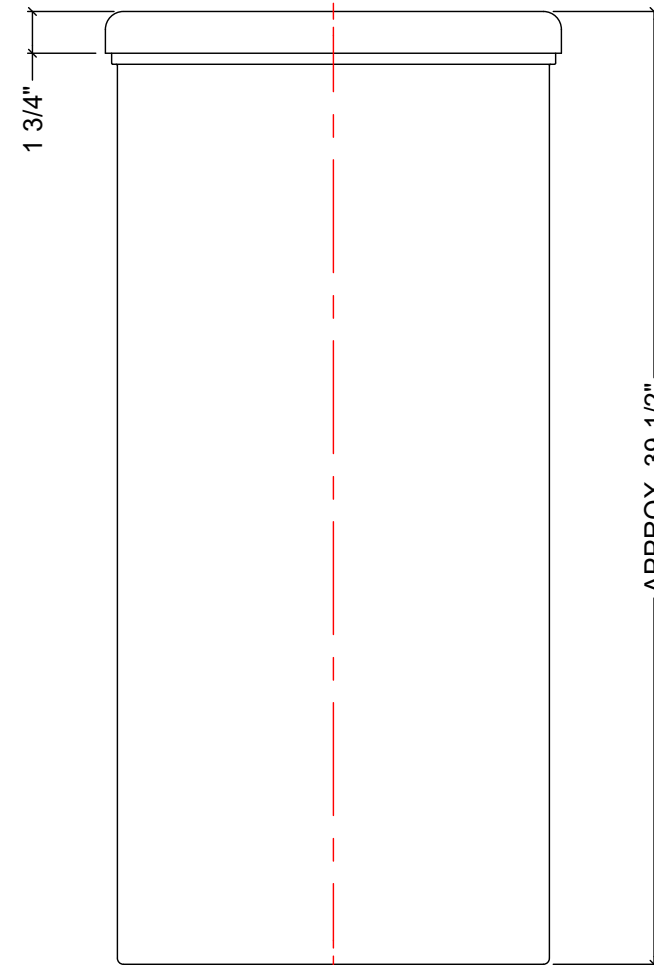
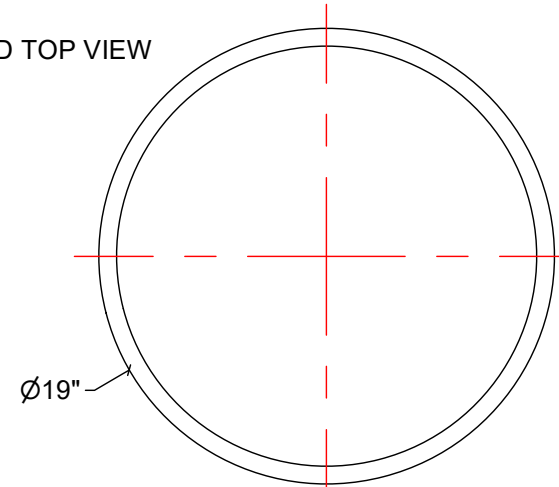


FRONT VIEW

NOTES:

1. TANK IS MANUFACTURED FROM POLYETHYLENE (HDPE)
2. RATING FOR STORING LIQUIDS WITH A SPECIFIC GRAVITY (DENSITY) OF 1.5SG. (1.9SG ALSO AVAILABLE)
3. ALL TANK DIMENSIONS ARE SUBJECT TO A +/-3% TOLERANCE.
4. ALL EXTERNAL PIPING AND ACCESSORIES MUST BE FULLY SUPPORTED AND FLEXIBLE TO AVOID STRESSING THE TANK.
5. FITTING GASKETS AVAILABLE IN EPDM OR VITON.
6. TANK MUST BE PROPERLY VENTED TO PREVENT PRESSURE OR VACUUM FROM DEVELOPING AS THE TANK IS FILLING OR EMPTYING.

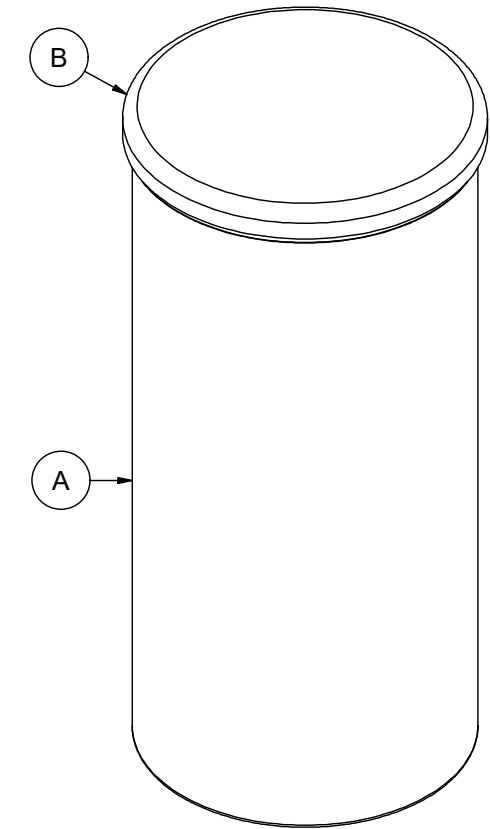
LID TOP VIEW



SIDE VIEW WITH LID

MATERIALS LIST

ITEMS	DESCRIPTION	NOTES
A	OT-36 OPEN TOP TANK	
B	LID FOR OT-36	



REV	DATE	DESCRIPTION	BY	APPD	REVD
REVISIONS					
CUSTOMER					
TITLE		ACO JOB NO:			
36 IG CLOSED TOP TANK		PURCHASE ORDER NO:			
		PURCHASER'S EQUIP. NO:			
THIS DRAWING IS THE PROPERTY OF ROTOPLAST INC. AND SHALL NOT BE COPIED OR TRANSFERRED WITHOUT THE WRITTEN CONSENT OF ROTOPLAST INC.					
ENGINEERS SEAL		ACO CONTAINER SYSTEMS DIVISION OF ROTOPLAST INC.			
<small>PICKERING - ONTARIO - CANADA</small>					
<small>ACO CONTAINER SYSTEMS</small>		<small>DESIGNED</small>			
<small>DIVISION OF ROTOPLAST INC.</small>		<small>DRAWN</small>	<small>WM</small>		
<small>794 MCKAY RD.</small>		<small>CHECKED</small>			
<small>PICKERING, ONTARIO, CANADA</small>		<small>APPROVED</small>			
<small>TEL. 905-683-8222</small>		<small>SCALE</small>	<small>N.T.S.</small>		
<small>FAX 905-683-2969</small>		<small>DATE</small>	<small>03-03-16</small>		
<small>DWG No</small>	OT-36-L				<small>REV</small> 0