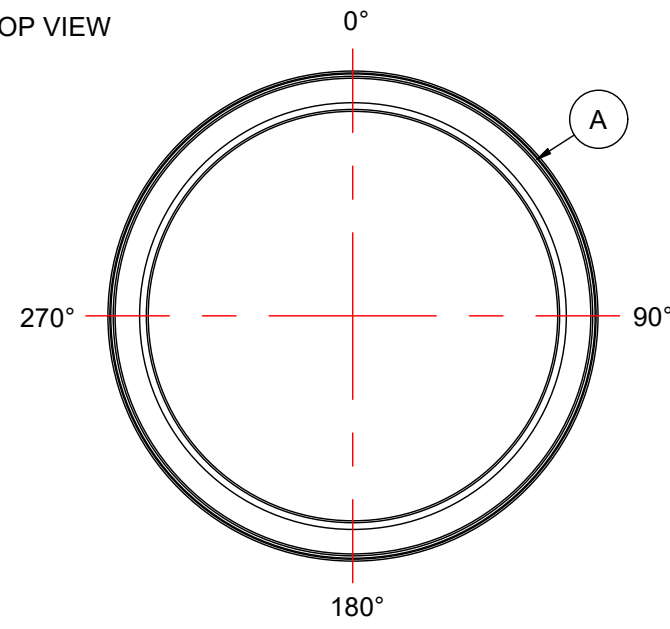


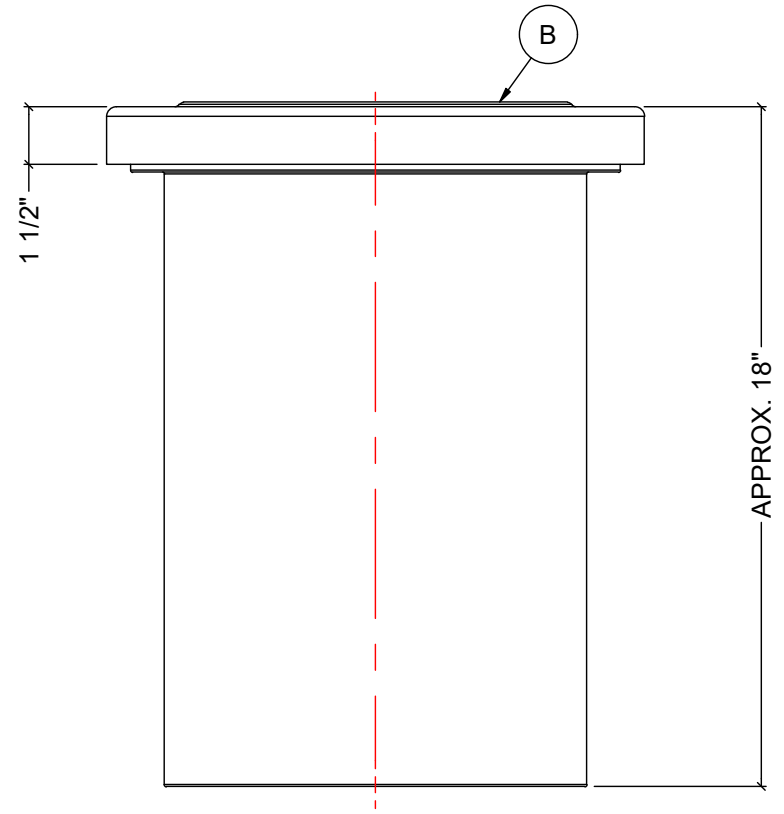
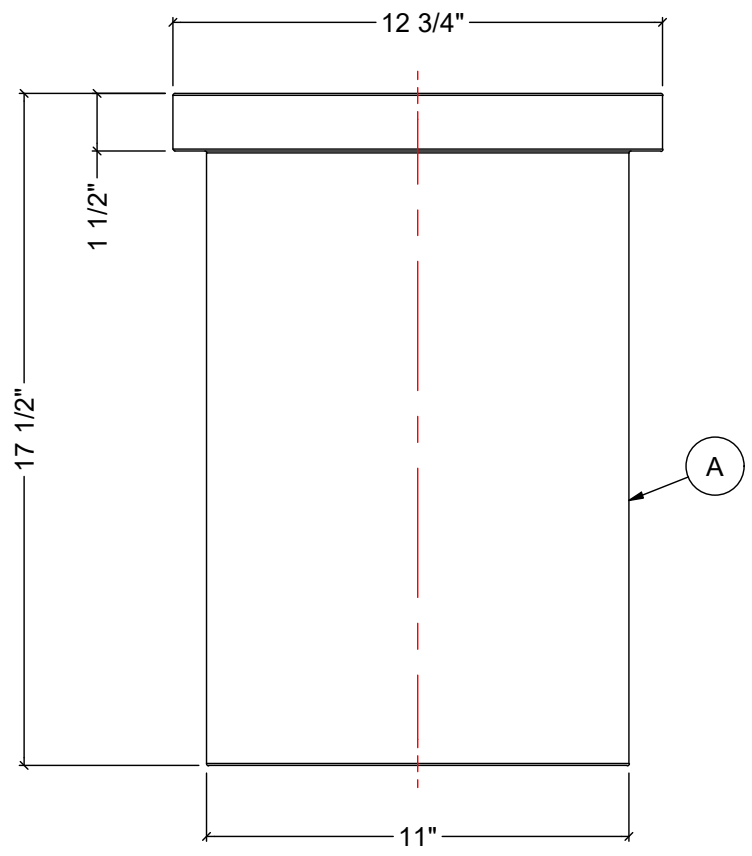
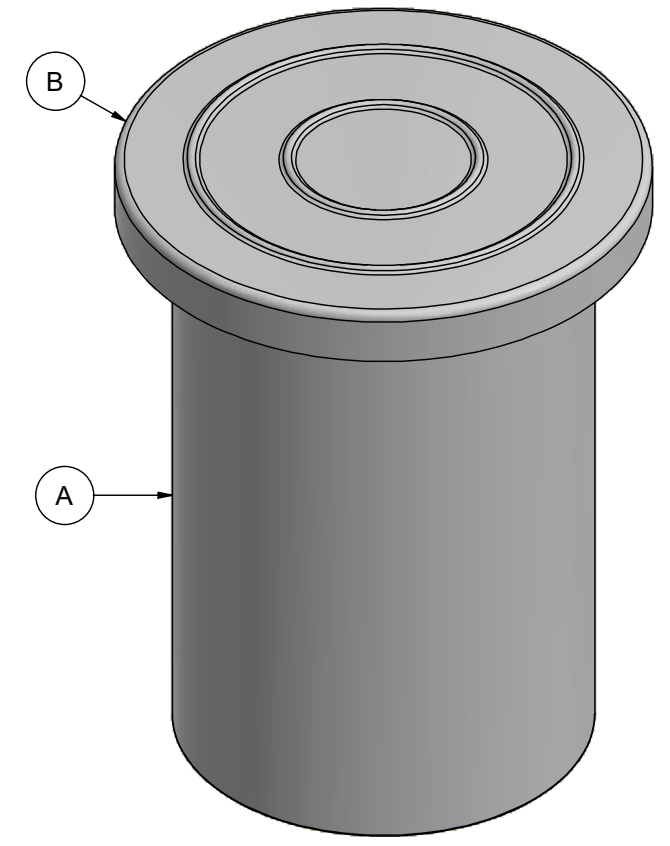
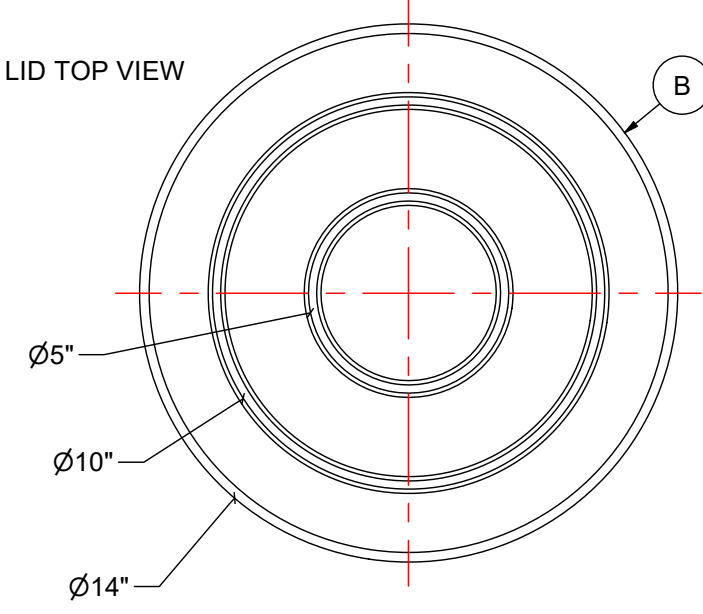
- NOTES:
 1. TANK IS MANUFACTURED FROM POLYETHYLENE (HDPE)
 2. RATING FOR STORING LIQUIDS WITH A SPECIFIC GRAVITY (DENSITY) OF 1.9SG.
 3. ALL TANK DIMENSIONS ARE SUBJECT TO A +/-3% TOLERANCE.
 4. ALL EXTERNAL PIPING AND ACCESSORIES MUST BE FULLY SUPPORTED AND FLEXIBLE TO AVOID STRESSING THE TANK.
 5. FITTING GASKETS AVAILABLE IN EPDM OR VITON.
 6. TANK MUST BE PROPERLY VENTED TO PREVENT PRESSURE OR VACUUM FROM DEVELOPING AS THE TANK IS FILLING OR EMPTYING.

MATERIALS LIST		
ITEMS	DESCRIPTION	NOTES
A	OT-5 OPEN TOP TANK	
B	LID FOR OT-5	

TOP VIEW



LID TOP VIEW



FRONT VIEW

SIDE VIEW WITH LID

REV	DATE	DESCRIPTION	BY	APPD	REVD
1	JUL-10-19	UPDATED DIMS, ADDED RIDGES TO LID	WM		

REVISIONS

CUSTOMER

TITLE: 5 IG OPEN TOP TANK WITH LID

ACO JOB NO:

PURCHASE ORDER NO:

PURCHASER'S EQUIP. NO:

THIS DRAWING IS THE PROPERTY OF ROTOPLAST INC. AND SHALL NOT BE COPIED OR TRANSFERRED WITHOUT THE WRITTEN CONSENT OF ROTOPLAST INC.

ACO CONTAINER SYSTEMS
A division of Rotoplast Inc.

ENGINEERS SEAL	ACO CONTAINER SYSTEMS DIVISION OF ROTOPLAST INC. 794 MCKAY ROAD PICKERING, ONTARIO, CANADA TEL: 905-683-8222 WEB: ACOTAINERS.COM	DESIGNED	
		DRAWN	WM
		CHECKED	
		APPROVED	
		SCALE	N.T.S.
		DATE	03-03-16

DWG No: OT-5-L

REV 1